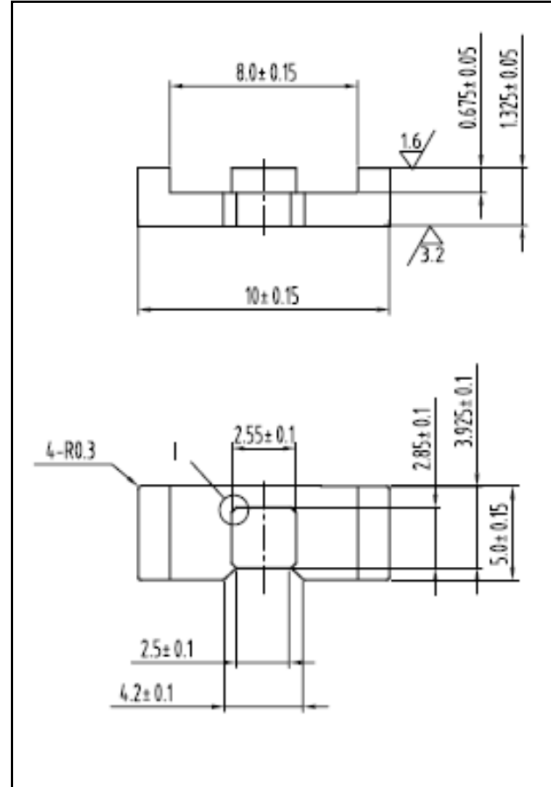


CORE SETS

Effective core parameters

SYMBOL	PARAMETER	VALUE	UNIT
$\Sigma (1/A)$	core factor (C_1)	1.55	mm^{-1}
V_e	effective volume	73.7	mm^3
l_e	effective length	10.7	mm
A_e	effective area	6.9	mm^2
A_{\min}	minimum area	6.5	mm^2
W_t	mass of core set	≈ 0.39	g



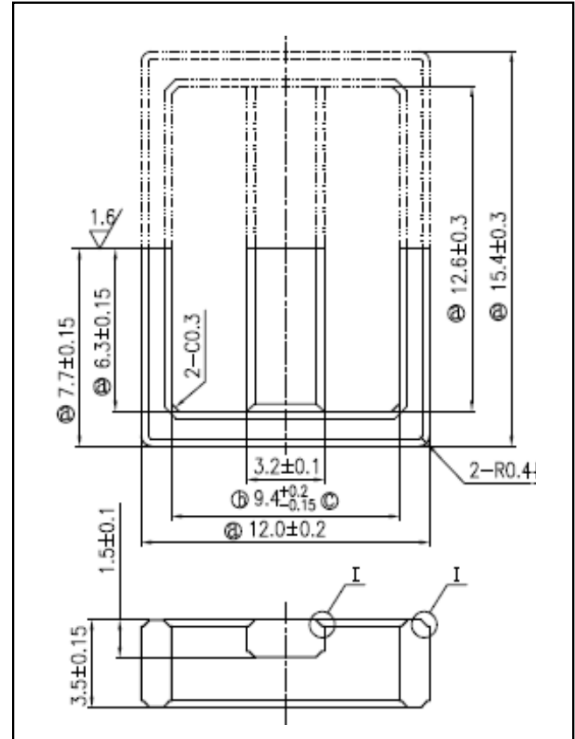
Characteristic

GRADE	AL (nH/N ²)	B (mT)	CORE LOSS (W)
	f=10kHz U=0.25V	H=250A/m f=25kHz T=100°C	f=100kHz B=200mT T=100°C
DMR40	800 ± 25%	—	—
DMR44	800 ± 25%	—	—

CORE SETS

Effective core parameters

SYMBOL	PARAMETER	VALUE	UNIT
$\Sigma (1/A)$	core factor (C_1)	5.11	mm^{-1}
V_e	effective volume	196.5	mm^3
l_e	effective length	31.7	mm
A_e	effective area	6.2	mm^2
W_t	mass of core set	≈ 1.5	g



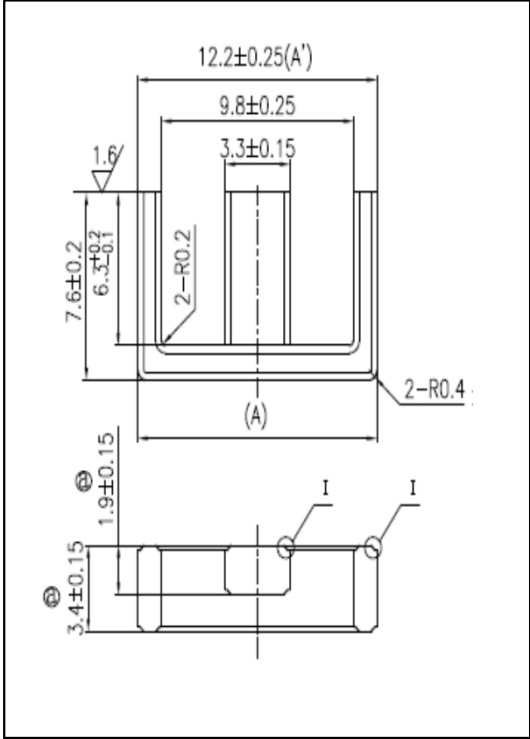
Characteristic

GRADE	AL (nH/N ²)	μ_i
	f=10kHz U=0.25V	f=10kHz U=0.25V
R7K	$830 \pm 25\%$	≈ 7000
R10K	$1050 \pm 30\%$	≈ 10000

CORE SETS

Effective core parameters

SYMBOL	PARAMETER	VALUE	UNIT
$\Sigma (1/A)$	core factor (C_1)	4.76	mm^{-1}
V_e	effective volume	260.5	mm^3
l_e	effective length	35.2	mm
A_e	effective area	7.4	mm^2
W_t	mass of core set	≈ 1.5	g



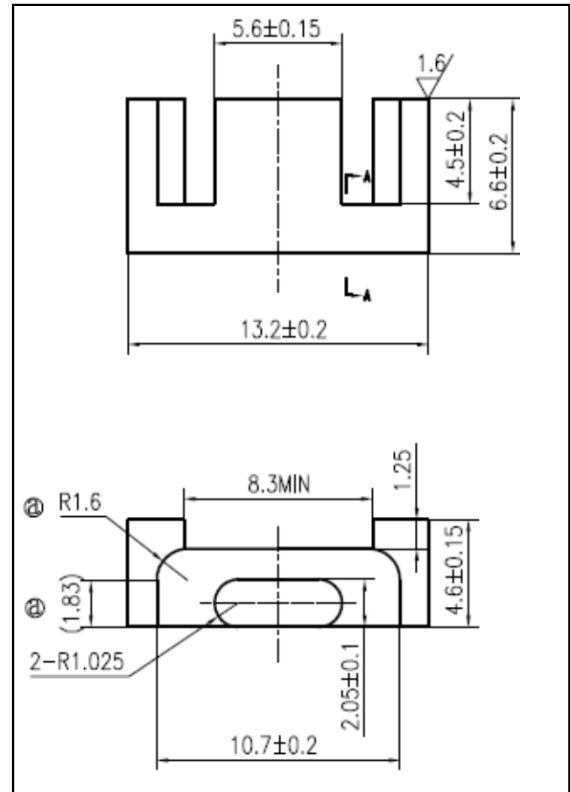
Characteristic

GRADE	$AL (\text{nH}/\text{N}^2)$	μ_i
		$f=10\text{kHz}$ $U=0.25\text{V}$
R7K	$710 \pm 25\%$	≈ 7000

CORE SETS

Effective core parameters

SYMBOL	PARAMETER	VALUE	UNIT
$\Sigma (1/A)$	core factor (C_1)	2.34	mm^{-1}
V_e	effective volume	358.36	mm^3
l_e	effective length	28.90	mm
A_e	effective area	12.40	mm^2
A_{\min}	minimum area	10.58	mm^2
W_t	mass of core set	≈ 2.1	g



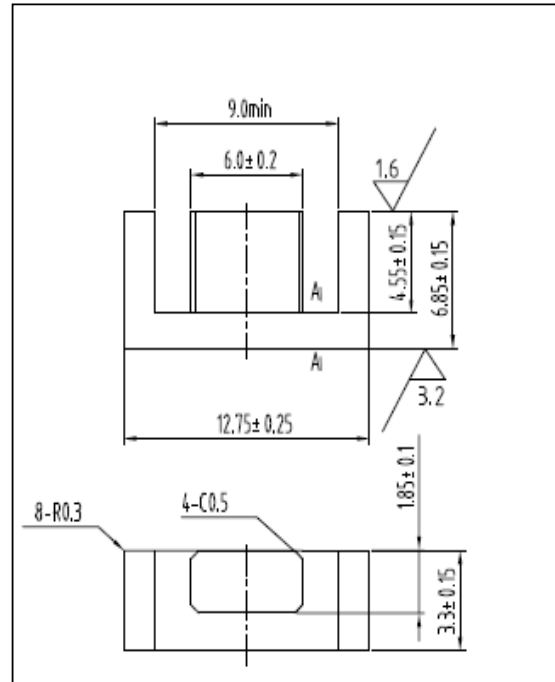
Characteristic

GRADE	AL (nH/N^2)	B (mT)	CORE LOSS (W)
	f=10kHz U=0.25V	H=250A/m f=25kHz T=100°C	f=100kHz B=200mT T=100°C
DMR40	$870 \pm 25\%$	≥ 290	≤ 0.31
DMR44	$870 \pm 25\%$	≥ 290	≤ 0.25
DMR47	$870 \pm 25\%$	≥ 300	≤ 0.23
DMR95	$1100 \pm 25\%$	≥ 290	≤ 0.23

CORE SETS

Effective core parameters

SYMBOL	PARAMETER	VALUE	UNIT
$\Sigma (1/A)$	core factor (C_1)	2,28	mm^{-1}
V_e	effective volume	327,6	mm^3
l_e	effective length	27,3	mm
A_e	effective area	12,0	mm^2
W_t	mass of core set	≈ 1.9	g



	12.00	27,3	1,9
--	-------	------	-----

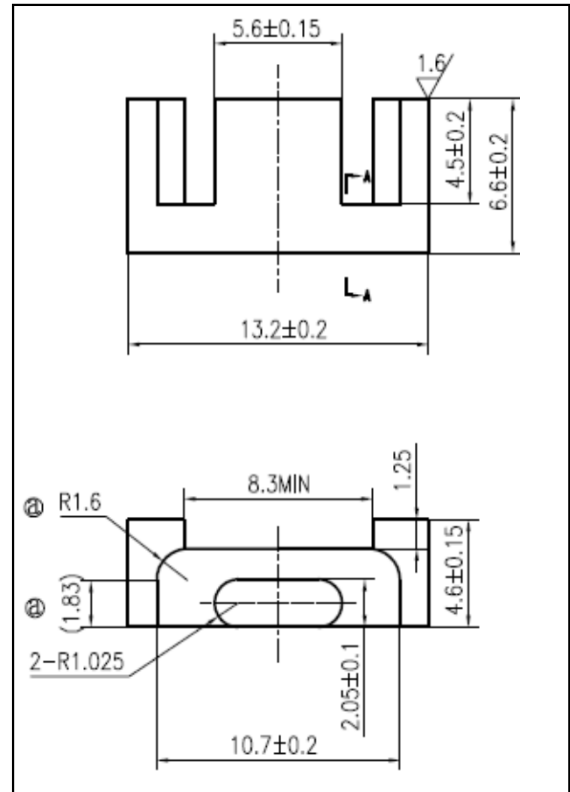
Characteristic

GRADE	AL (nH/N ²)	μ_i
	f=10kHz U=0.25V	f=10kHz U=0.25V
R10K	2500 ± 30%	≈ 10000

CORE SETS

Effective core parameters

SYMBOL	PARAMETER	VALUE	UNIT
$\Sigma (1/A)$	core factor (C_1)	2.34	mm^{-1}
V_e	effective volume	358.36	mm^3
l_e	effective length	28.90	mm
A_e	effective area	12.40	mm^2
A_{\min}	minimum area	10.58	mm^2
W_t	mass of core set	≈ 2.1	g



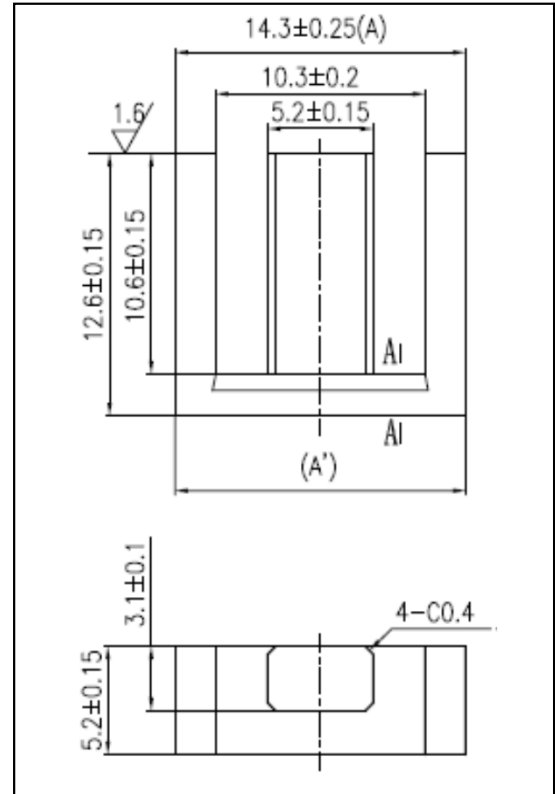
Characteristic

GRADE	$AL (\text{nH}/\text{N}^2)$	μi
		f=10kHz U=0.25V
R10K	$2800 \pm 30\%$	≈ 10000

CORE SETS

Effective core parameters

SYMBOL	PARAMETER	VALUE	UNIT
$\Sigma (1/A)$	core factor (C_1)	2.93	mm^{-1}
V_e	effective volume	993.6	mm^3
l_e	effective length	54.0	mm
A_e	effective area	18.4	mm^2
A_{\min}	minimum area	15.8	mm^2
W_t	mass of core set	≈ 5.3	g



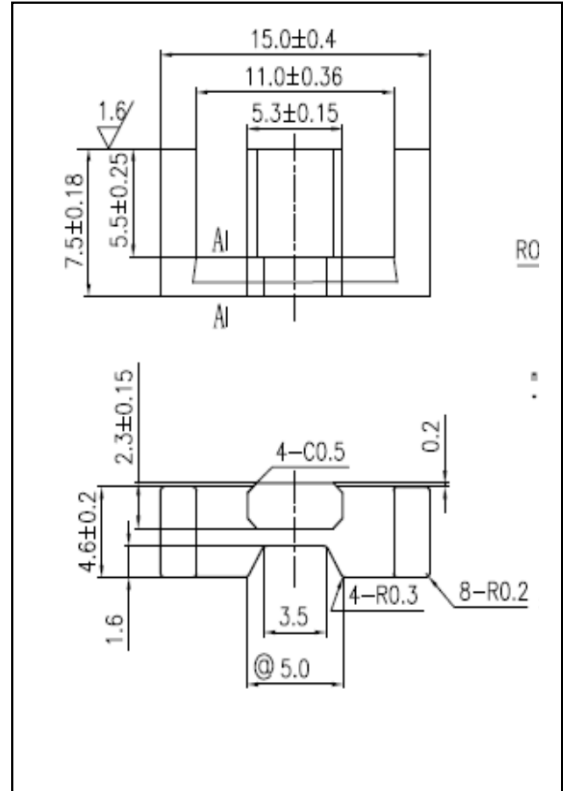
Characteristic

GRADE	$AL (\text{nH}/\text{N}^2)$	$B (\text{mT})$	CORE LOSS (W)
	$f=10\text{kHz}$ $U=0.25\text{V}$	$H=250\text{A/m}$ $f=25\text{kHz}$ $T=100^\circ\text{C}$	$f=100\text{kHz}$ $B=200\text{mT}$ $T=100^\circ\text{C}$
DMR40	$720 \pm 25\%$	≥ 290	≤ 0.77
DMR44	$720 \pm 25\%$	≥ 290	≤ 0.61

CORE SETS

Effective core parameters

SYMBOL	PARAMETER	VALUE	UNIT
$\Sigma (1/A)$	core factor (C_1)	2.27	mm^{-1}
V_e	effective volume	510.00	mm^3
l_e	effective length	34.00	mm
A_e	effective area	15.00	mm^2
A_{\min}	minimum area	12.20	mm^2
W_t	mass of core set	≈ 2.8	g



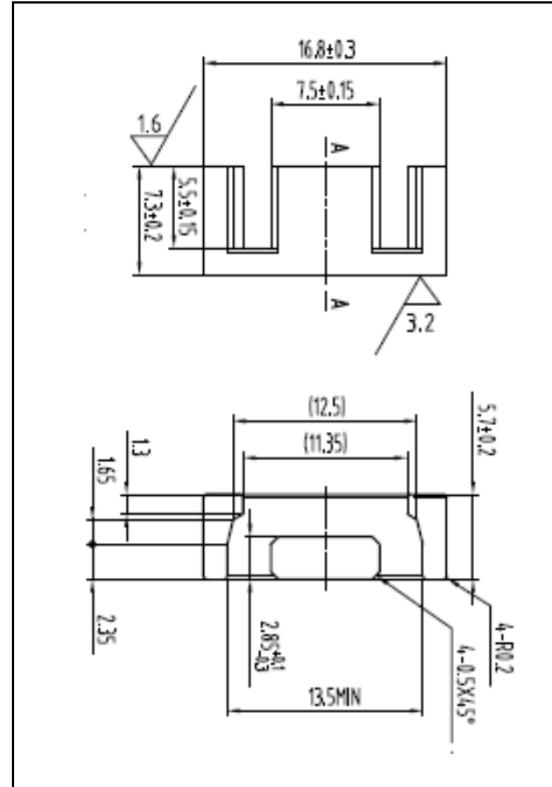
Characteristic

GRADE	AL (nH/N^2)	B (mT)	CORE LOSS (W)
	f=10kHz U=0.25V	H=250A/m f=25kHz T=100°C	f=100kHz B=200mT T=100°C
DMR40	800 ± 25%	≥ 290	≤ 0.41
DMR44	800 ± 25%	≥ 290	≤ 0.31
DMR47	850 ± 25%	≥ 300	≤ 0.26
DMR95	1100 ± 25%	≥ 290	≤ 0.28

CORE SETS

Effective core parameters

SYMBOL	PARAMETER	VALUE	UNIT
$\Sigma (l/A)$	core factor (C_1)	1.72	mm^{-1}
V_e	effective volume	703.0	mm^3
l_e	effective length	34.8	mm
A_e	effective area	20.2	mm^2
A_{\min}	minimum area	20.2	mm^2
W_t	mass of core set	≈ 4.2	g



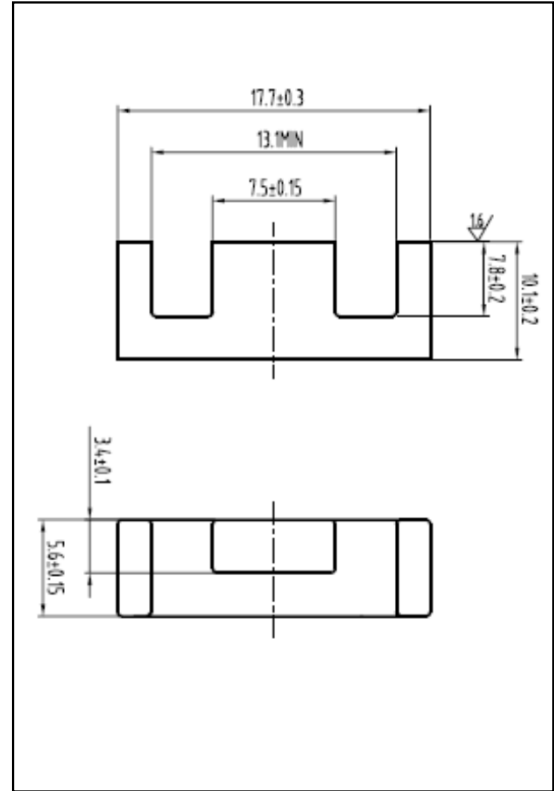
Characteristic

GRADE	AL (nH/N ²)	B (mT)	CORE LOSS (W)
	f=10kHz U=0.25V	H=250A/m f=25kHz T=100°C	f=100kHz B=200mT T=100°C
DMR40	1250 ± 25%	≥ 290	≤ 0.57
DMR44	1250 ± 25%	≥ 290	≤ 0.46
DMR47	1300 ± 25%	≥ 300	≤ 0.40

CORE SETS

Effective core parameters

SYMBOL	PARAMETER	VALUE	UNIT
$\Sigma (1/A)$	core factor (C_1)	2.02	mm^{-1}
V_e	effective volume	1321.0	mm^3
l_e	effective length	51.6	mm
A_e	effective area	25.6	mm^2
A_{\min}	minimum area	24.0	mm^2
W_t	mass of core set	≈ 5.9	g



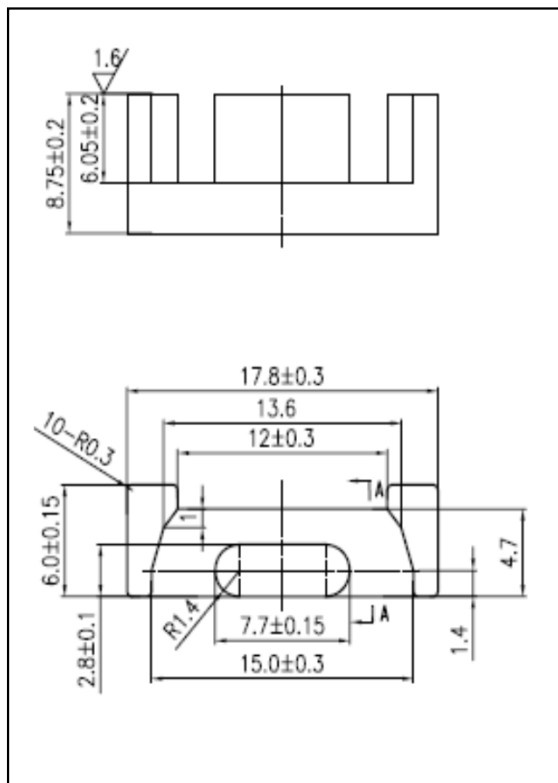
Characteristic

GRADE	AL (nH/N^2)	B (mT)	CORE LOSS (W)
	f=10kHz U=0.25V	H=250A/m f=25kHz T=100°C	f=100kHz B=200mT T=100°C
DMR40	$1050 \pm 25\%$	≥ 290	≤ 0.86
DMR44	$1050 \pm 25\%$	≥ 290	≤ 0.68
DMR47	$1100 \pm 25\%$	≥ 300	≤ 0.56

CORE SETS

Effective core parameters

SYMBOL	PARAMETER	VALUE	UNIT
$\Sigma (1/A)$	core factor (C_1)	1.77	mm^{-1}
V_e	effective volume	870.24	mm^3
l_e	effective length	39.20	mm
A_e	effective area	22.20	mm^2
A_{\min}	minimum area	19.88	mm^2
W_t	mass of core set	≈ 4.9	g



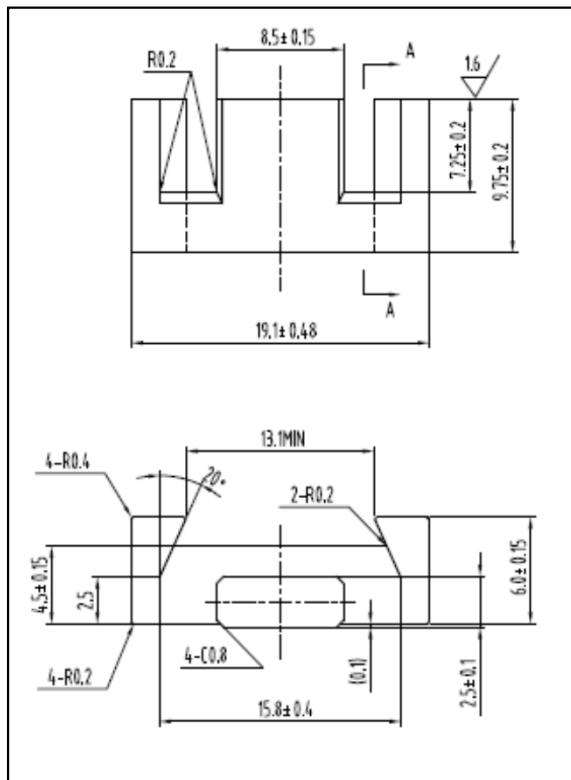
Characteristic

GRADE	AL (nH/N^2)	B (mT)	CORE LOSS (W)
	f=10kHz U=0.25V	H=250A/m f=25kHz T=100°C	f=100kHz B=200mT T=100°C
DMR40	$1200 \pm 25\%$	≥ 290	≤ 0.72
DMR44	$1200 \pm 25\%$	≥ 290	≤ 0.58
DMR47	$1300 \pm 25\%$	≥ 300	≤ 0.50
DMR95	$1800 \pm 25\%$	≥ 290	≤ 0.52

CORE SETS

Effective core parameters

SYMBOL	PARAMETER	VALUE	UNIT
$\Sigma (1/A)$	core factor (C_1)	2.03	mm^{-1}
V_e	effective volume	1046.5	mm^3
l_e	effective length	46.1	mm
A_e	effective area	22.7	mm^2
A_{\min}	minimum area	20.0	mm^2
W_t	mass of core set	≈ 5.2	g



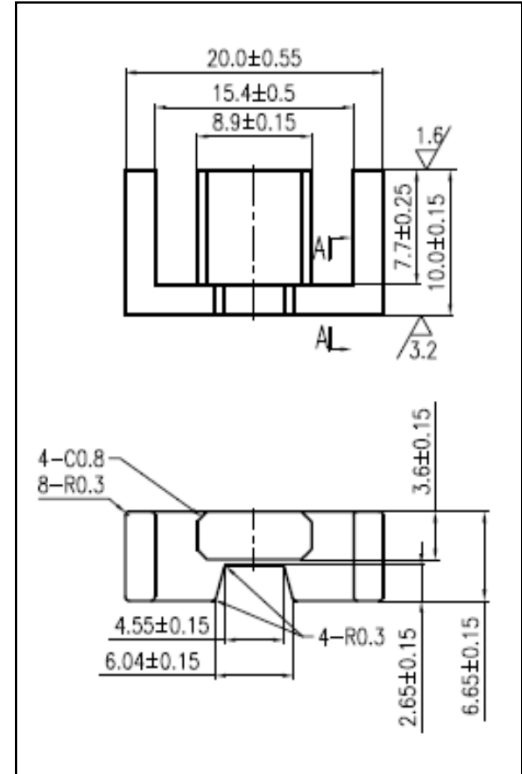
Characteristic

GRADE	AL (nH/N ²)	B (mT)	CORE LOSS (W)
	f=10kHz U=0.25V	H=250A/m f=25kHz T=100°C	f=100kHz B=200mT T=100°C
DMR40	1050 ± 25%	≥ 290	≤ 0.76
DMR44	1050 ± 25%	≥ 290	≤ 0.60
DMR47	1100 ± 25%	≥ 300	≤ 0.55

CORE SETS

Effective core parameters

SYMBOL	PARAMETER	VALUE	UNIT
$\Sigma (1/A)$	core factor (C_1)	1.52	mm^{-1}
V_e	effective volume	1457.0	mm^3
l_e	effective length	47.0	mm
A_e	effective area	31.0	mm^2
A_{\min}	minimum area	29.0	mm^2
W_t	mass of core set	≈ 7.2	g



Characteristic

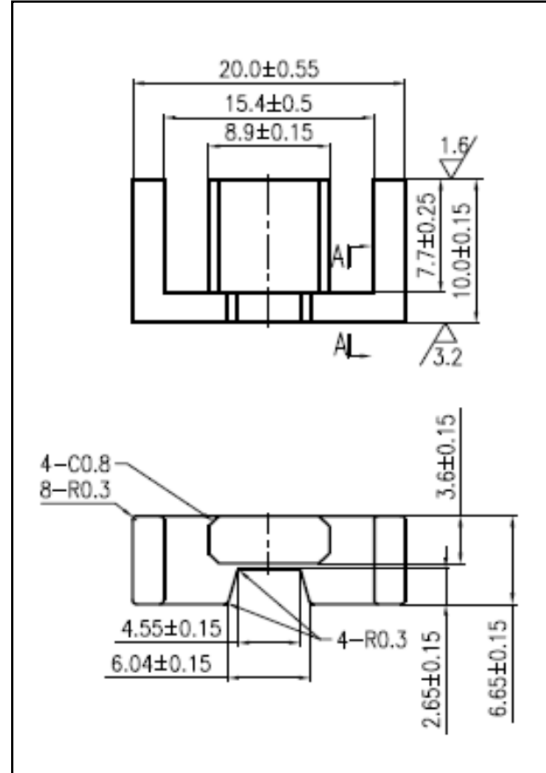
GRADE	AL (nH/N^2)	B (mT)	CORE LOSS (W)	
	$f=10\text{kHz}$ $U=0.25\text{V}$	$H=250\text{A/m}$ $f=25\text{kHz}$ $T=100^\circ\text{C}$	$f=100\text{kHz}$ $B=200\text{mT}$ $T=100^\circ\text{C}$	
DMR24	$1000 \pm 25\%$	≥ 300	≤ 1.10	
DMR40	$1300 \pm 25\%$	≥ 290	≤ 1.01	
DMR44	$1300 \pm 25\%$	≥ 290	≤ 0.80	
DMR95	$1800 \pm 25\%$	≥ 300	≤ 0.82	

GRADE	AL (nH/N^2)	B (mT)	CORE LOSS (W)	
	$f=10\text{kHz}$ $U=0.25\text{V}$	$H=250\text{A/m}$ $f=25\text{kHz}$ $T=100^\circ\text{C}$	$f=500\text{kHz}$ $B=50\text{mT}$ $T=100^\circ\text{C}$	$f=3\text{MHz}$ $B=10\text{mT}$ $T=100^\circ\text{C}$
DMR50B	$1000 \pm 25\%$	≥ 275	≤ 0.364	—
DMR55	$1200 \pm 25\%$	≥ 275	≤ 0.466	—

CORE SETS

Effective core parameters

SYMBOL	PARAMETER	VALUE	UNIT
$\Sigma (1/A)$	core factor (C_1)	1.52	mm^{-1}
V_e	effective volume	1457.0	mm^3
l_e	effective length	47.0	mm
A_e	effective area	31.0	mm^2
A_{\min}	minimum area	29.0	mm^2
W_t	mass of core set	≈ 7.2	g



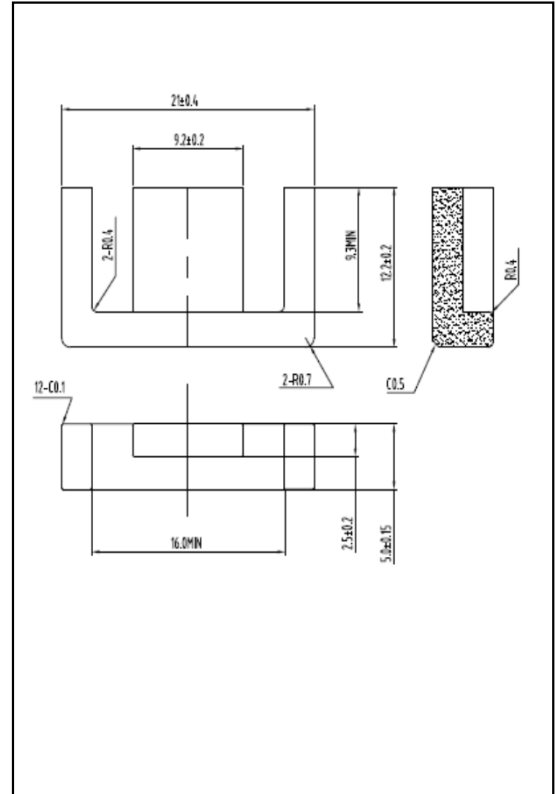
Characteristic

GRADE	$AL (\text{nH}/\text{N}^2)$	μi
		$f=10\text{kHz}$ $U=0.25\text{V}$
R12K	≥ 4700 mirror	≈ 12000

CORE SETS

Effective core parameters

SYMBOL	PARAMETER	VALUE	UNIT
$\Sigma (1/A)$	core factor (C_1)	2.34	mm^{-1}
V_e	effective volume	1273.3	mm^3
l_e	effective length	54.6	mm
A_e	effective area	23.3	mm^2
A_{\min}	minimum area	23.0	mm^2
W_t	mass of core set	≈ 6.8	g



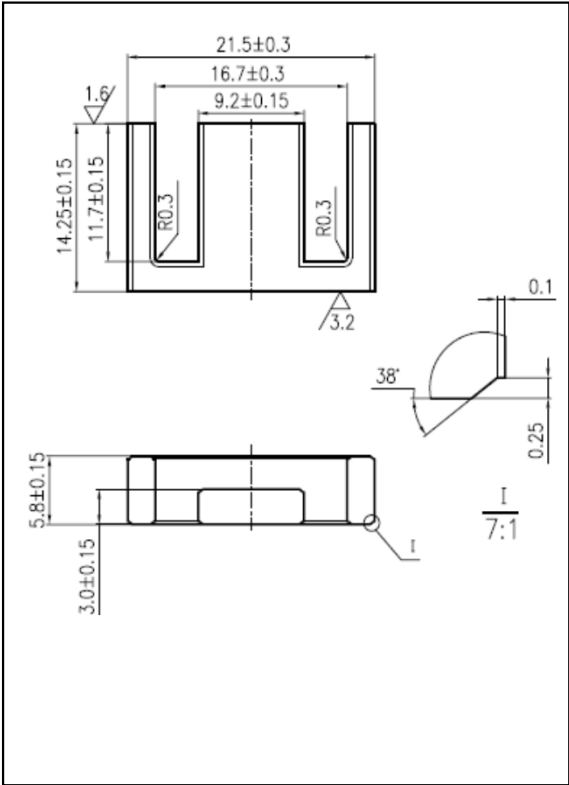
Characteristic

GRADE	AL (nH/N^2)	B (mT)	CORE LOSS (W)
	$f=10\text{kHz}$ $U=0.25\text{V}$	$H=250\text{A/m}$ $f=25\text{kHz}$ $T=100^\circ\text{C}$	$f=100\text{kHz}$ $B=200\text{mT}$ $T=100^\circ\text{C}$
DMR40	$1100 \pm 25\%$	≥ 290	≤ 0.95
DMR44	$1100 \pm 25\%$	≥ 290	≤ 0.75

CORE SETS

Effective core parameters

SYMBOL	PARAMETER	VALUE	UNIT
$\Sigma (1/A)$	core factor (C_1)	2.22	mm^{-1}
V_e	effective volume	1870.5	mm^3
l_e	effective length	64.5	mm
A_e	effective area	29.0	mm^2
A_{min}	minimum area	27.3	mm^2
W_t	mass of core set	≈ 9.5	g



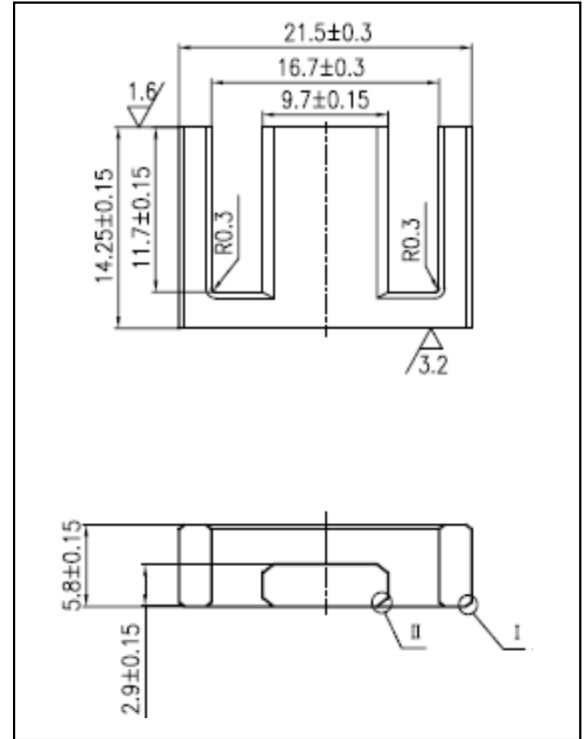
Characteristic

GRADE	AL (nH/N^2)	μi
	$f=10\text{kHz}$ $U=0.25\text{V}$	$f=10\text{kHz}$ $U=0.25\text{V}$
R10K	$3025 \pm 30\%$	≈ 10000
R12K	≥ 2750	≈ 12000

CORE SETS

Effective core parameters

SYMBOL	PARAMETER	VALUE	UNIT
$\Sigma (1/A)$	core factor (C_1)	2.20	mm^{-1}
V_e	effective volume	1886.9	mm^3
l_e	effective length	64.4	mm
A_e	effective area	29.3	mm^2
W_t	mass of core set	≈ 9.5	g



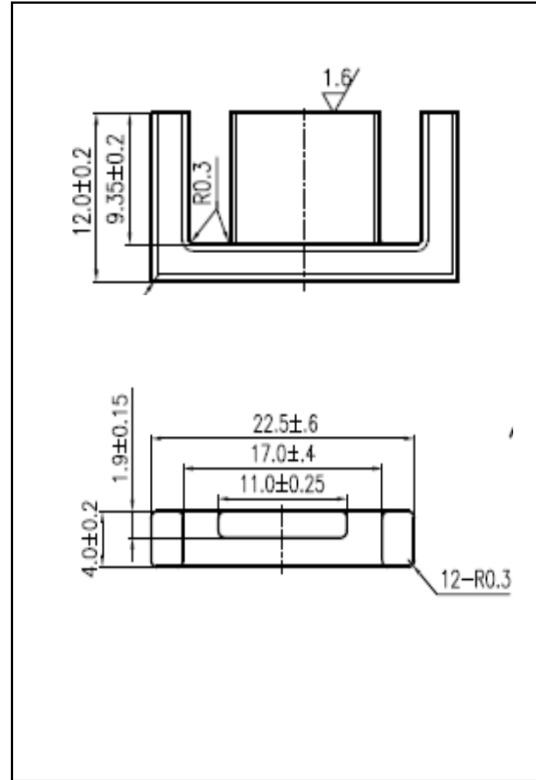
Characteristic

GRADE	$AL (\text{nH}/\text{N}^2)$	μ_i
	$f=10\text{kHz}$ $U=0.25\text{V}$	$f=10\text{kHz}$ $U=0.25\text{V}$
R10K	$2650 \pm 30\%$	≈ 10000

CORE SETS

Effective core parameters

SYMBOL	PARAMETER	VALUE	UNIT
$\Sigma (1/A)$	core factor (C_1)	2.45	mm^{-1}
V_e	effective volume	1227.52	mm^3
l_e	effective length	54.80	mm
A_e	effective area	22.40	mm^2
A_{\min}	minimum area	20.54	mm^2
W_t	mass of core set	≈ 6.0	g



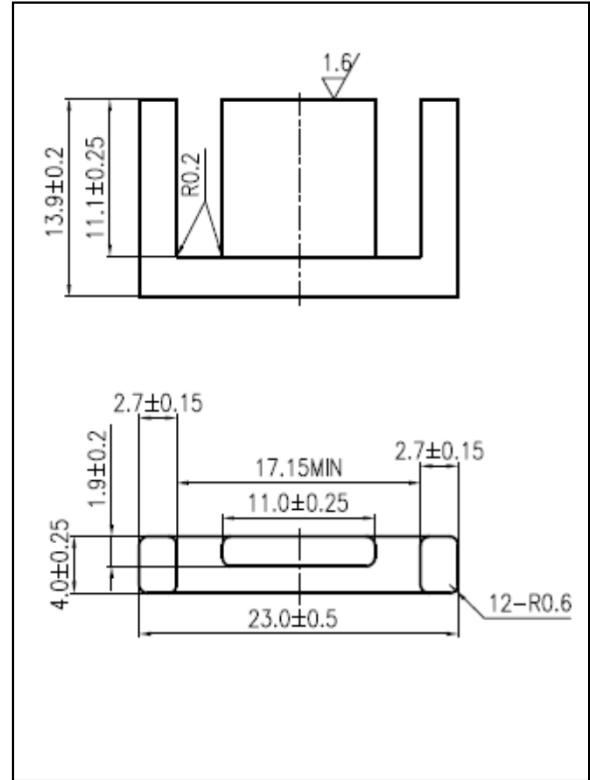
Characteristic

GRADE	AL (nH/N^2)	B (mT)	CORE LOSS (W)
	f=10kHz U=0.25V	H=250A/m f=25kHz T=100°C	f=100kHz B=200mT T=100°C
DMR40	$850 \pm 25\%$	≥ 290	≤ 0.87
DMR44	$850 \pm 25\%$	≥ 290	≤ 0.69
DMR95	$1000 \pm 25\%$	≥ 290	≤ 0.69

CORE SETS

Effective core parameters

SYMBOL	PARAMETER	VALUE	UNIT
$\Sigma (1/A)$	core factor (C_1)	2.76	mm^{-1}
V_e	effective volume	1399.50	mm^3
l_e	effective length	62.20	mm
A_e	effective area	22.50	mm^2
A_{\min}	minimum area	20.72	mm^2
W_t	mass of core set	≈ 7.5	g



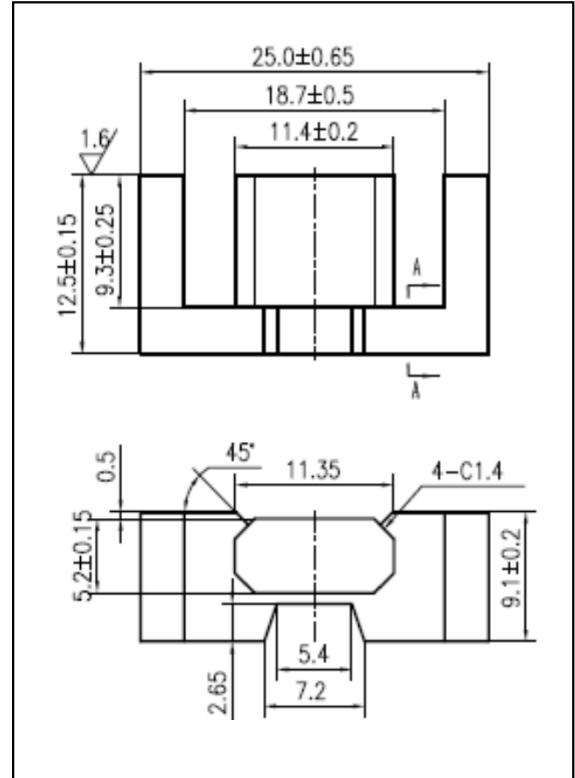
Characteristic

GRADE	AL (nH/N^2)	B (mT)	CORE LOSS (W)
	f=10kHz U=0.25V	H=250A/m f=25kHz T=100°C	f=100kHz B=200mT T=100°C
DMR40	$800 \pm 25\%$	≥ 315	≤ 0.94
DMR44	$800 \pm 25\%$	≥ 315	≤ 0.83

CORE SETS

Effective core parameters

SYMBOL	PARAMETER	VALUE	UNIT
$\Sigma (1/A)$	core factor (C_1)	1.0	mm^{-1}
V_e	effective volume	3306.0	mm^3
l_e	effective length	57.0	mm
A_e	effective area	58.0	mm^2
A_{\min}	minimum area	55.0	mm^2
W_t	mass of core set	≈ 16.1	g



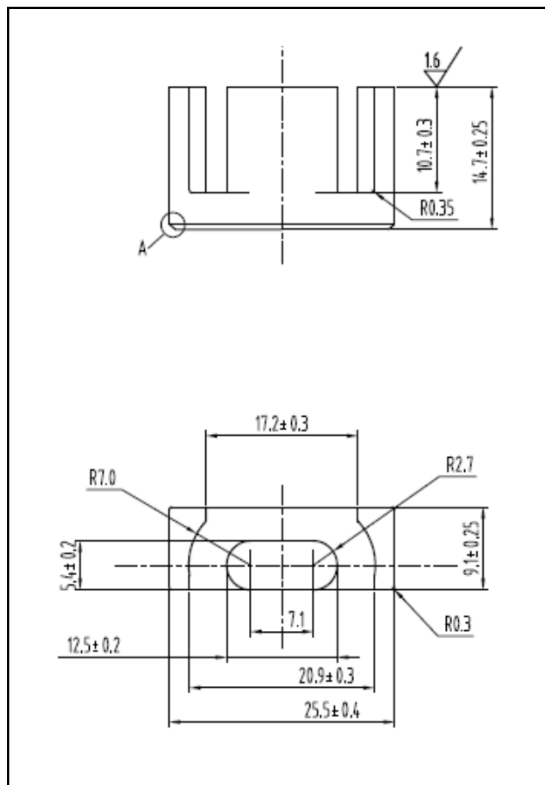
Characteristic

GRADE	AL (nH/N^2)	B (mT)	CORE LOSS (W)
	f=10kHz U=0.25V	H=250A/m f=25kHz T=100°C	f=100kHz B=200mT T=100°C
DMR40	$2200 \pm 25\%$	≥ 290	≤ 2.26
DMR44	$2200 \pm 25\%$	≥ 290	≤ 1.77
DMR47	$2300 \pm 25\%$	≥ 300	≤ 1.53
DMR95	$2800 \pm 25\%$	≥ 290	≤ 1.82

CORE SETS

Effective core parameters

SYMBOL	PARAMETER	VALUE	UNIT
$\Sigma (1/A)$	core factor (C_1)	1.13	mm^{-1}
V_e	effective volume	3935.3	mm^3
l_e	effective length	66.7	mm
A_e	effective area	59.0	mm^2
A_{\min}	minimum area	52.3	mm^2
W_t	mass of core set	≈ 20.2	g



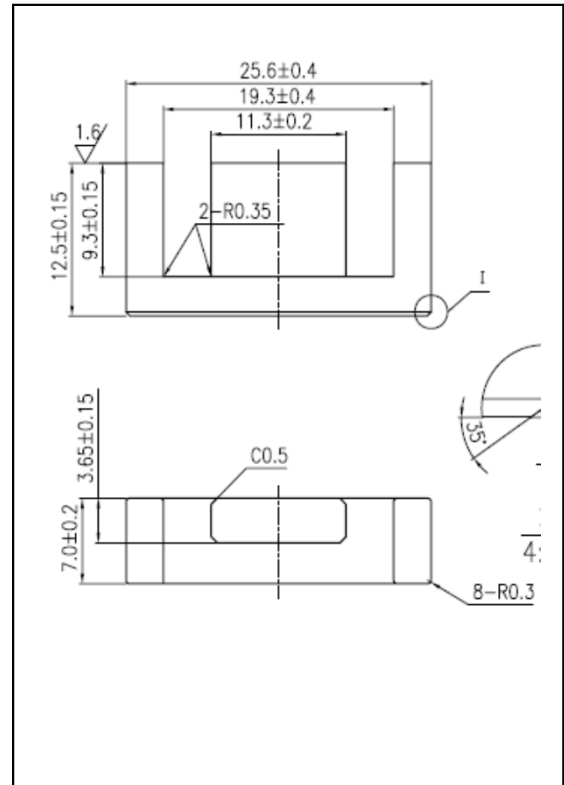
Characteristic

GRADE	AL (nH/N^2)	B (mT)	CORE LOSS (W)
	f=10kHz U=0.25V	H=250A/m f=25kHz T=100°C	f=100kHz B=200mT T=100°C
DMR40	$2200 \pm 25\%$	≥ 315	≤ 2.63
DMR44	$2200 \pm 25\%$	≥ 315	≤ 2.22

CORE SETS

Effective core parameters

SYMBOL	PARAMETER	VALUE	UNIT
$\Sigma (1/A)$	core factor (C_1)	1.29	mm^{-1}
V_e	effective volume	2629.3	mm^3
l_e	effective length	58.3	mm
A_e	effective area	45.1	mm^2
A_{\min}	minimum area	44.0	mm^2
W_t	mass of core set	≈ 13.1	g



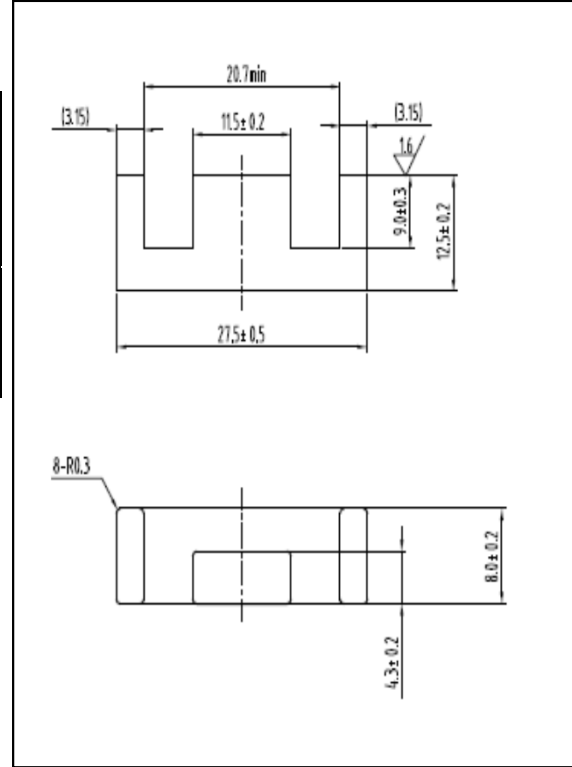
Characteristic

GRADE	AL (nH/N^2)	B (mT)	CORE LOSS (W)
	f=10kHz U=0.25V	H=250A/m f=25kHz T=100°C	f=100kHz B=200mT T=100°C
DMR40	$1700 \pm 25\%$	≥ 315	≤ 1.64
DMR44	$1700 \pm 25\%$	≥ 315	≤ 1.44

CORE SETS

Effective core parameters

SYMBOL	PARAMETER	VALUE	UNIT
$\Sigma (1/A)$	core factor (C_1)	1.15	mm^{-1}
V_e	effective volume	3003.9	mm^3
l_e	effective length	58.9	mm
A_e	effective area	51.0	mm^2
A_{\min}	minimum area	49.3	mm^2
W_t	mass of core set	≈ 15.7	g



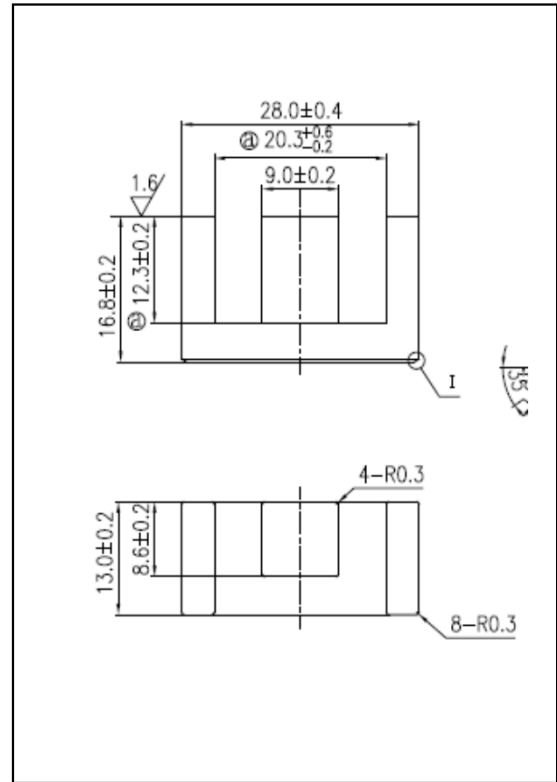
Characteristic

GRADE	$AL (\text{nH/N}^2)$	$B (\text{mT})$	CORE LOSS (W)
		$f=10\text{kHz}$ $U=0.25\text{V}$	$H=250\text{A/m}$ $f=25\text{kHz}$ $T=100^\circ\text{C}$
DMR40	$1700 \pm 25\%$	≥ 315	≤ 2.20
DMR44	$1700 \pm 25\%$	≥ 315	≤ 1.65

CORE SETS

Effective core parameters

SYMBOL	PARAMETER	VALUE	UNIT
$\Sigma (1/A)$	core factor (C_1)	0.83	mm^{-1}
V_e	effective volume	6646.8	mm^3
l_e	effective length	74.1	mm
A_e	effective area	89.7	mm^2
A_{\min}	minimum area	77.3	mm^2
W_t	mass of core set	≈ 37.1	g



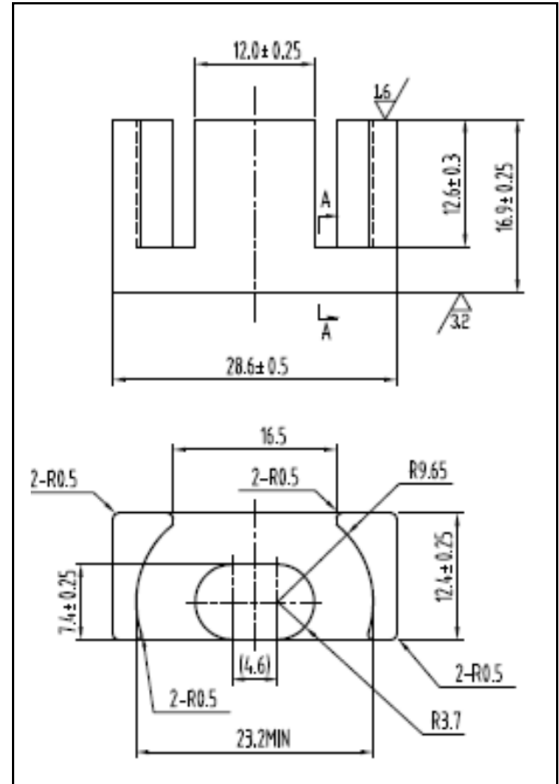
Characteristic

GRADE	AL (nH/N^2)	B (mT)	CORE LOSS (W)
	f=10kHz U=0.25V	H=250A/m f=25kHz T=100°C	f=100kHz B=200mT T=100°C
DMR40	$2600 \pm 25\%$	≥ 315	≤ 5.2
DMR44	$2600 \pm 25\%$	≥ 315	≤ 4.1

CORE SETS

Effective core parameters

SYMBOL	PARAMETER	VALUE	UNIT
$\Sigma (1/A)$	core factor (C_1)	0.84	mm^{-1}
V_e	effective volume	6415.2	mm^3
l_e	effective length	73.4	mm
A_e	effective area	87.4	mm^2
A_{\min}	minimum area	77.1	mm^2
W_t	mass of core set	≈ 35.5	g



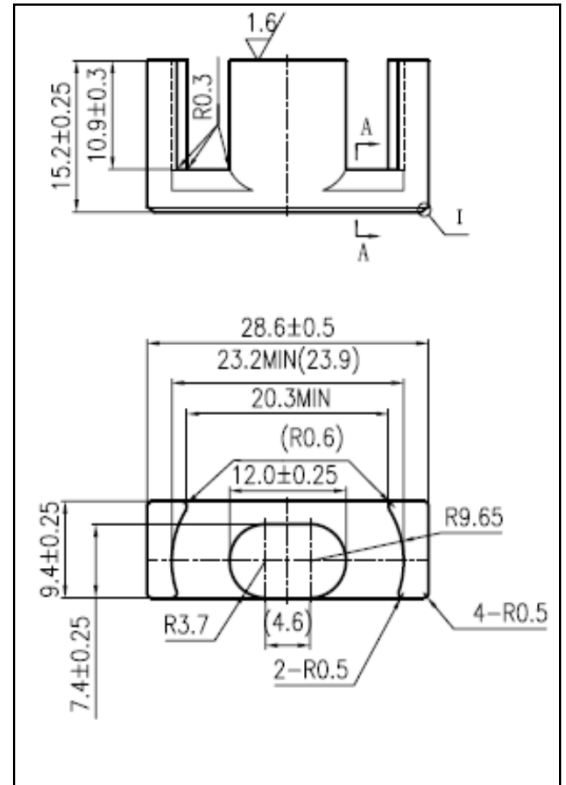
Characteristic

GRADE	AL (nH/N^2)	B (mT)	CORE LOSS (W)
	f=10kHz U=0.25V	H=250A/m f=25kHz T=100°C	f=100kHz B=200mT T=100°C
DMR40	$2750 \pm 25\%$	≥ 315	≤ 4.44
DMR44	$2750 \pm 25\%$	≥ 315	≤ 3.91
DMR47	$2800 \pm 25\%$	≥ 325	≤ 3.38

CORE SETS

Effective core parameters

SYMBOL	PARAMETER	VALUE	UNIT
$\Sigma (1/A)$	core factor (C_1)	1.10	mm^{-1}
V_e	effective volume	3755.1	mm^3
l_e	effective length	64.3	mm
A_e	effective area	58.4	mm^2
A_{min}	minimum area	50.2	mm^2
W_t	mass of core set	≈ 24.3	g



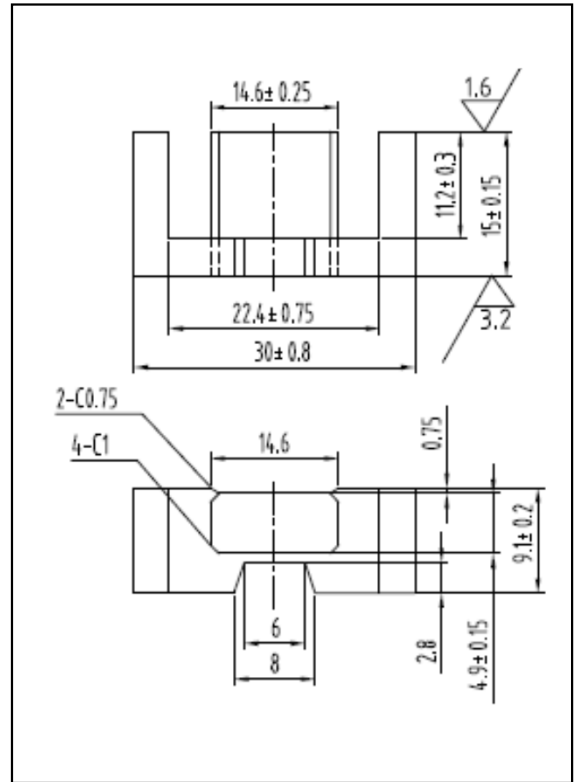
Characteristic

GRADE	AL (nH/N ²)	B (mT)	CORE LOSS (W)
	f=10kHz U=0.25V	H=250A/m f=25kHz T=100°C	f=100kHz B=200mT T=100°C
DMR40	2480 ± 25%	≥ 315	≤ 3.04
DMR44	2480 ± 25%	≥ 315	≤ 2.68

CORE SETS

Effective core parameters

SYMBOL	PARAMETER	VALUE	UNIT
$\Sigma (1/A)$	core factor (C_1)	0.98	mm^{-1}
V_e	effective volume	4692.0	mm^3
l_e	effective length	68.0	mm
A_e	effective area	69.0	mm^2
A_{\min}	minimum area	66.0	mm^2
W_t	mass of core set	≈ 24.0	g



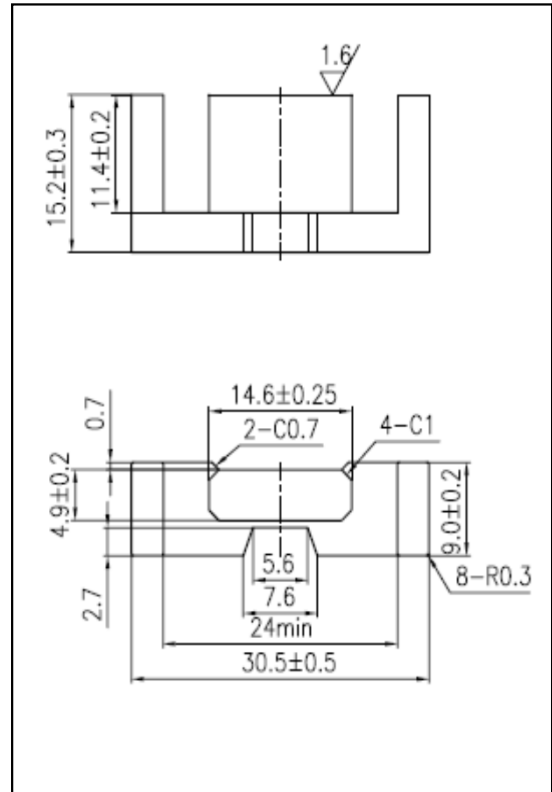
Characteristic

GRADE	AL (nH/N^2)	B (mT)	CORE LOSS (W)
	f=10kHz U=0.25V	H=250A/m f=25kHz T=100°C	f=100kHz B=200mT T=100°C
DMR40	$2100 \pm 25\%$	≥ 315	≤ 3.36
DMR44	$2100 \pm 25\%$	≥ 315	≤ 2.64
DMR95	$2900 \pm 25\%$	≥ 315	≤ 2.58

CORE SETS

Effective core parameters

SYMBOL	PARAMETER	VALUE	UNIT
$\Sigma (1/A)$	core factor (C_1)	0.98	mm^{-1}
V_e	effective volume	4643.7	mm^3
l_e	effective length	67.3	mm
A_e	effective area	69.0	mm^2
A_{\min}	minimum area	58.5	mm^2
W_t	mass of core set	≈ 23.0	g



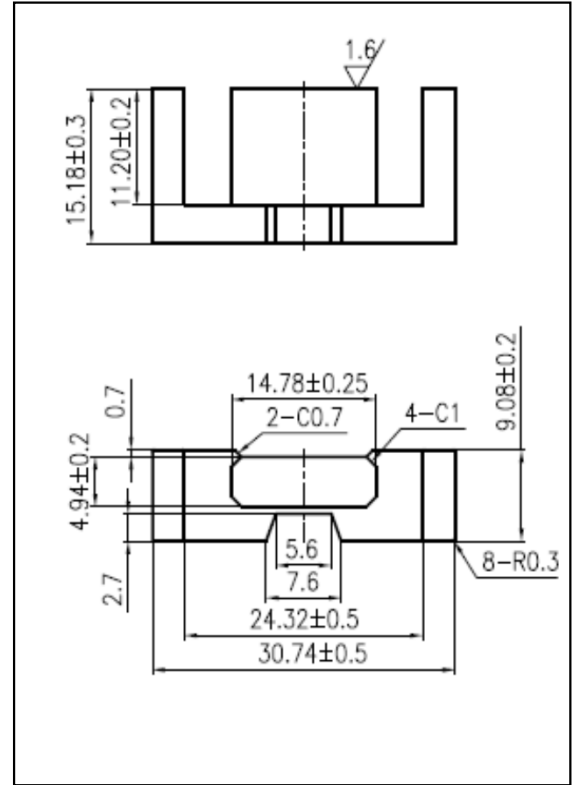
Characteristic

GRADE	AL (nH/N^2)	B (mT)	CORE LOSS (W)
	f=10kHz U=0.25V	H=250A/m f=25kHz T=100°C	f=100kHz B=200mT T=100°C
DMR40	$2200 \pm 25\%$	≥ 315	≤ 3.00
DMR44	$2200 \pm 25\%$	≥ 315	≤ 2.53

CORE SETS

Effective core parameters

SYMBOL	PARAMETER	VALUE	UNIT
$\Sigma (1/A)$	core factor (C_1)	0.98	mm^{-1}
V_e	effective volume	4643.7	mm^3
l_e	effective length	67.3	mm
A_e	effective area	69.0	mm^2
A_{\min}	minimum area	58.1	mm^2
W_t	mass of core set	≈ 24.8	g



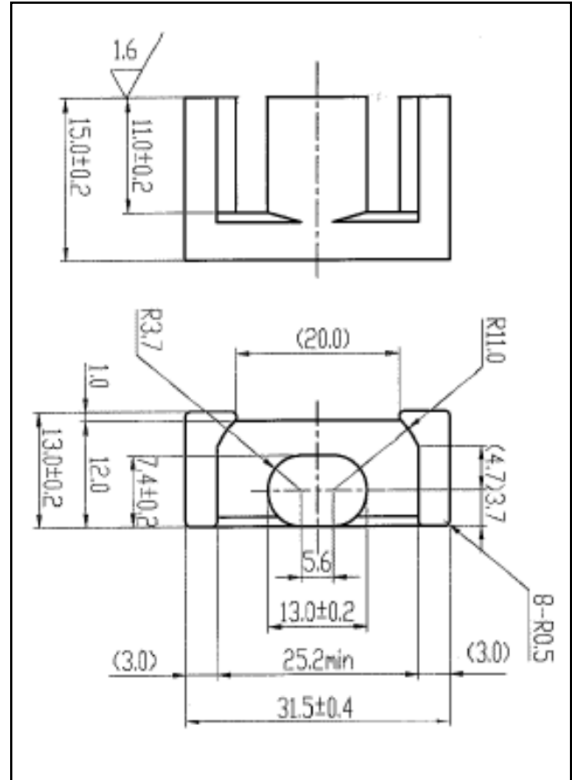
Characteristic

GRADE	AL (nH/N^2)	B (mT)	CORE LOSS (W)
	f=10kHz U=0.25V	H=250A/m f=25kHz T=100°C	f=100kHz B=200mT T=100°C
DMR40	$2000 \pm 25\%$	≥ 315	≤ 3.23
DMR44	$2000 \pm 25\%$	≥ 315	≤ 2.73

CORE SETS

Effective core parameters

SYMBOL	PARAMETER	VALUE	UNIT
$\Sigma (1/A)$	core factor (C_1)	0.82	mm^{-1}
V_e	effective volume	6269.7	mm^3
l_e	effective length	71.9	mm
A_e	effective area	87.2	mm^2
A_{\min}	minimum area	84.5	mm^2
W_t	mass of core set	≈ 32.5	g



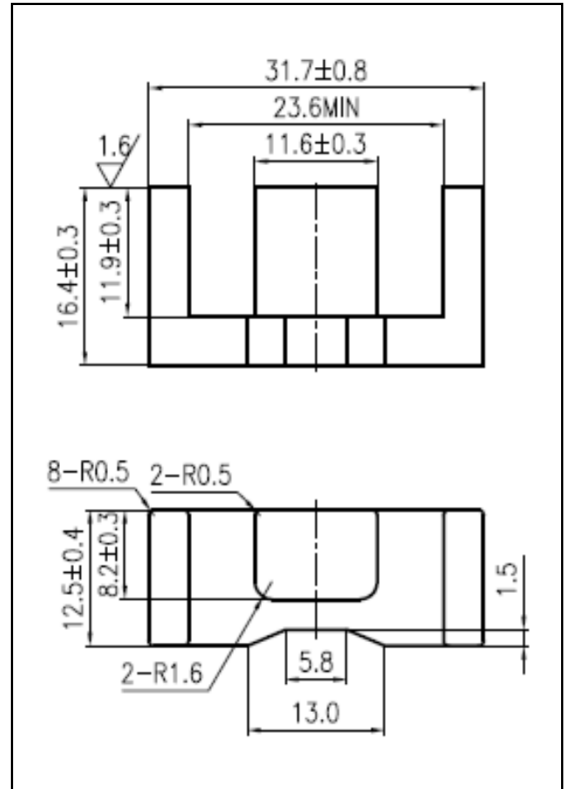
Characteristic

GRADE	AL (nH/N^2)	B (mT)	CORE LOSS (W)
	f=10kHz U=0.25V	H=250A/m f=25kHz T=100°C	f=100kHz B=200mT T=100°C
DMR40	$2600 \pm 25\%$	≥ 315	≤ 4.23
DMR44	$2600 \pm 25\%$	≥ 315	≤ 3.58

CORE SETS

Effective core parameters

SYMBOL	PARAMETER	VALUE	UNIT
$\Sigma (1/A)$	core factor (C_1)	0.75	mm^{-1}
V_e	effective volume	7368.05	mm^3
l_e	effective length	74.50	mm
A_e	effective area	98.90	mm^2
A_{\min}	minimum area	93.91	mm^2
W_t	mass of core set	≈ 37.2	g



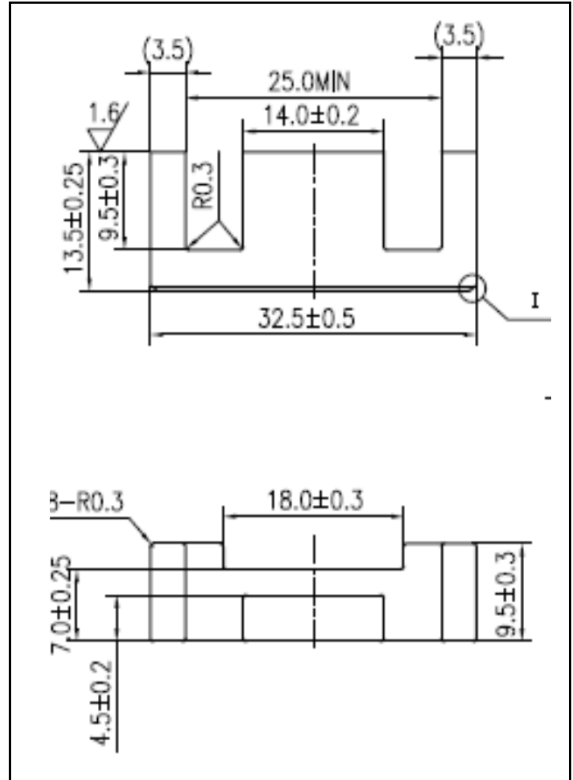
Characteristic

GRADE	AL (nH/N^2)	B (mT)	CORE LOSS (W)
	f=10kHz U=0.25V	H=250A/m f=25kHz T=100°C	f=100kHz B=200mT T=100°C
DMR40	$3000 \pm 25\%$	≥ 315	≤ 5.33
DMR44	$3000 \pm 25\%$	≥ 315	≤ 4.51
DMR47	$3100 \pm 25\%$	≥ 325	≤ 3.90
DMR95	$3700 \pm 25\%$	≥ 315	≤ 4.05

CORE SETS

Effective core parameters

SYMBOL	PARAMETER	VALUE	UNIT
$\Sigma (1/A)$	core factor (C_1)	0.88	mm^{-1}
V_e	effective volume	4052.8	mm^3
l_e	effective length	59.6	mm
A_e	effective area	68.0	mm^2
A_{\min}	minimum area	62.9	mm^2
W_t	mass of core set	≈ 23.1	g



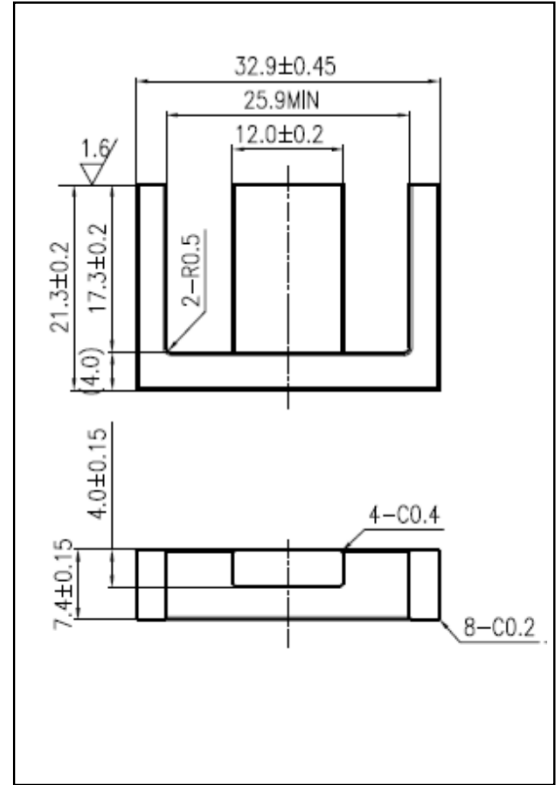
Characteristic

GRADE	AL (nH/N^2)	B (mT)	CORE LOSS (W)
	f=10kHz U=0.25V	H=250A/m f=25kHz T=100°C	f=100kHz B=200mT T=100°C
DMR40	$2050 \pm 25\%$	≥ 315	≤ 3.00
DMR44	$2050 \pm 25\%$	≥ 315	≤ 2.43

CORE SETS

Effective core parameters

SYMBOL	PARAMETER	VALUE	UNIT
$\Sigma (1/A)$	core factor (C_1)	1.86	mm^{-1}
V_e	effective volume	4944.0	mm^3
l_e	effective length	96.0	mm
A_e	effective area	51.5	mm^2
A_{\min}	minimum area	47.4	mm^2
W_t	mass of core set	≈ 25.6	g



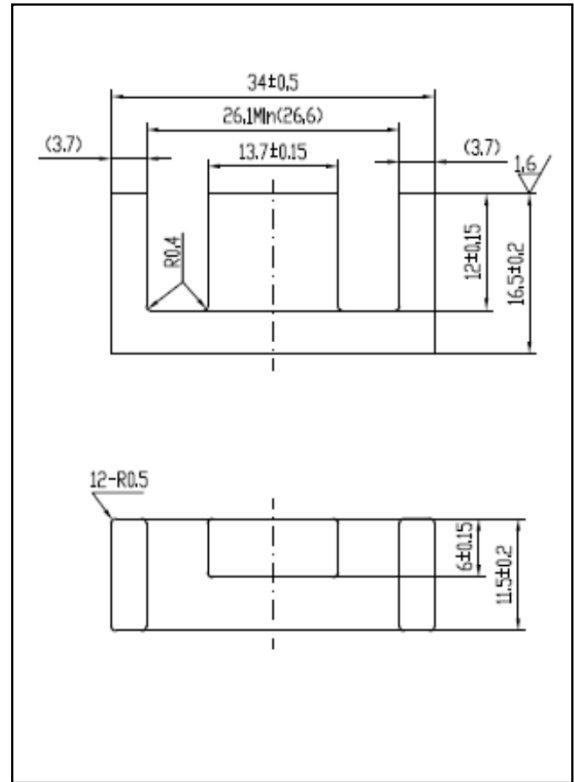
Characteristic

GRADE	AL (nH/N^2)	B (mT)	CORE LOSS (W)
	$f=10\text{kHz}$ $U=0.25\text{V}$	$H=250\text{A/m}$ $f=25\text{kHz}$ $T=100^\circ\text{C}$	$f=100\text{kHz}$ $B=200\text{mT}$ $T=100^\circ\text{C}$
DMR40	$1100 \pm 25\%$	≥ 315	≤ 3.08
DMR44	$1100 \pm 25\%$	≥ 315	≤ 2.82

CORE SETS

Effective core parameters

SYMBOL	PARAMETER	VALUE	UNIT
$\Sigma (1/A)$	core factor (C_1)	0.81	mm^{-1}
V_e	effective volume	6361.5	mm^3
l_e	effective length	71.8	mm
A_e	effective area	88.6	mm^2
A_{\min}	minimum area	82.1	mm^2
W_t	mass of core set	≈ 37.0	g



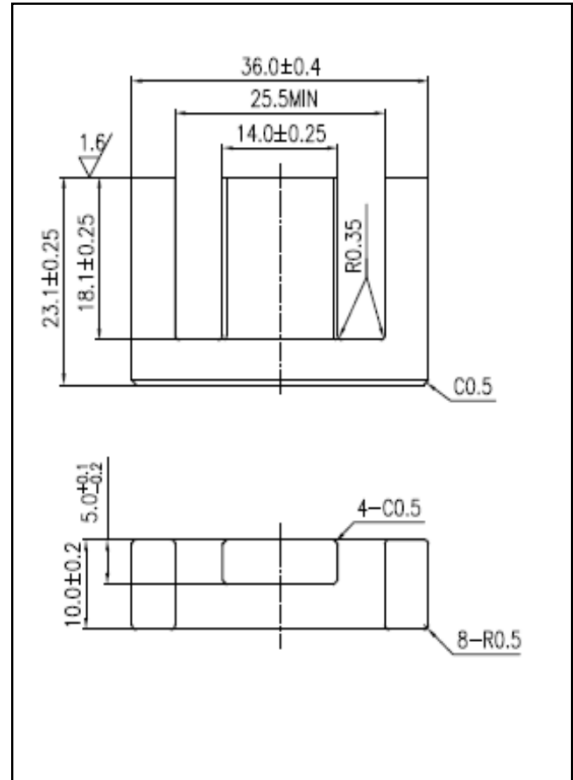
Characteristic

GRADE	AL (nH/N ²)	B (mT)	CORE LOSS (W)
	f=10kHz U=0.25V	H=250A/m f=25kHz T=100°C	f=100kHz B=200mT T=100°C
DMR40	2500 ± 25%	≥ 315	≤ 4.44
DMR44	2500 ± 25%	≥ 315	≤ 4.07

CORE SETS

Effective core parameters

SYMBOL	PARAMETER	VALUE	UNIT
$\Sigma (1/A)$	core factor (C_1)	1.16	mm^{-1}
V_e	effective volume	8451.8	mm^3
l_e	effective length	99.2	mm
A_e	effective area	85.2	mm^2
A_{\min}	minimum area	69.5	mm^2
W_t	mass of core set	≈ 48.0	g



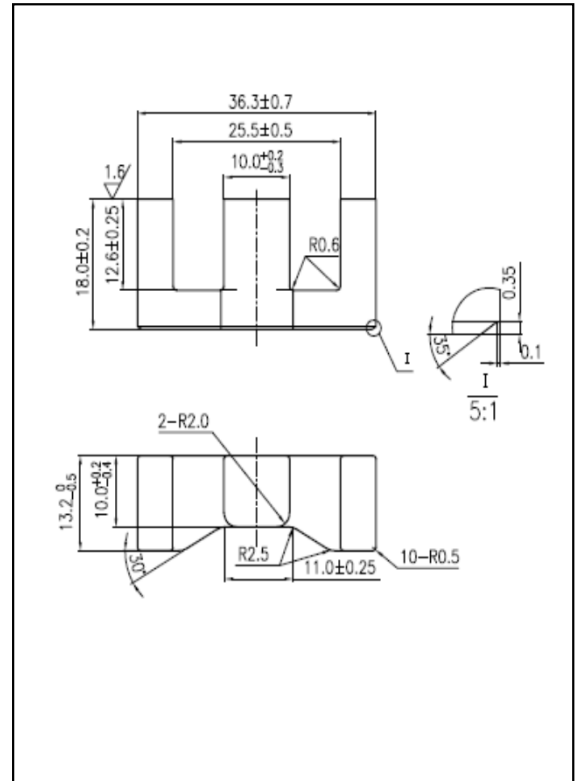
Characteristic

GRADE	AL (nH/N^2)	B (mT)	CORE LOSS (W)
	$f=10\text{kHz}$ $U=0.25\text{V}$	$H=250\text{A/m}$ $f=25\text{kHz}$ $T=100^\circ\text{C}$	$f=100\text{kHz}$ $B=200\text{mT}$ $T=100^\circ\text{C}$
DMR40	$2000 \pm 25\%$	≥ 315	≤ 5.76
DMR44	$2000 \pm 25\%$	≥ 315	≤ 5.28

CORE SETS

Effective core parameters

SYMBOL	PARAMETER	VALUE	UNIT
$\Sigma (1/A)$	core factor (C_1)	0.70	mm^{-1}
V_e	effective volume	9142.8	mm^3
l_e	effective length	80.2	mm
A_e	effective area	114.0	mm^2
A_{\min}	minimum area	97.2	mm^2
W_t	mass of core set	≈ 50.0	g



Characteristic

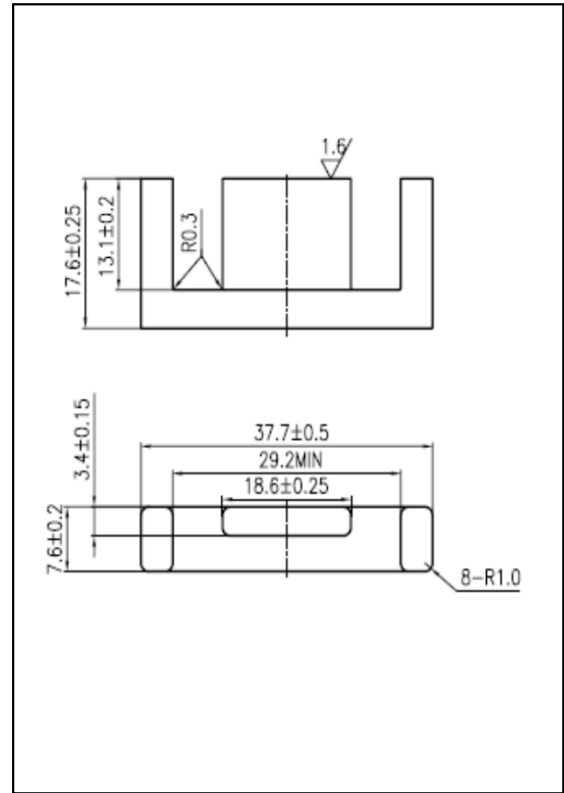
GRADE	AL (nH/N^2)	B (mT)	CORE LOSS (W)	
	f=10kHz U=0.25V	H=250A/m f=25kHz T=100°C	f=100kHz B=200mT T=100°C	
DMR40	3000 ± 25%	≥ 315	≤ 6.00	
DMR44	3000 ± 25%	≥ 315	≤ 5.50	
DMR47	3000 ± 25%	≥ 325	≤ 4.75	
DMR95	4000 ± 25%	≥ 315	≤ 5.30	

GRADE	AL (nH/N^2)	B (mT)	CORE LOSS (W)	
	f=10kHz U=0.25V	H=250A/m f=25kHz T=100°C	f=500kHz B=50mT T=100°C	f=3MHz B=10mT T=100°C
DMR55	2750 ± 25%	≥ 300	≤ 2.93	—

CORE SETS

Effective core parameters

SYMBOL	PARAMETER	VALUE	UNIT
$\Sigma (1/A)$	core factor (C_1)	1.23	mm^{-1}
V_e	effective volume	5410.08	mm^3
l_e	effective length	81.60	mm
A_e	effective area	66.30	mm^2
A_{\min}	minimum area	55.58	mm^2
W_t	mass of core set	≈ 28.0	g



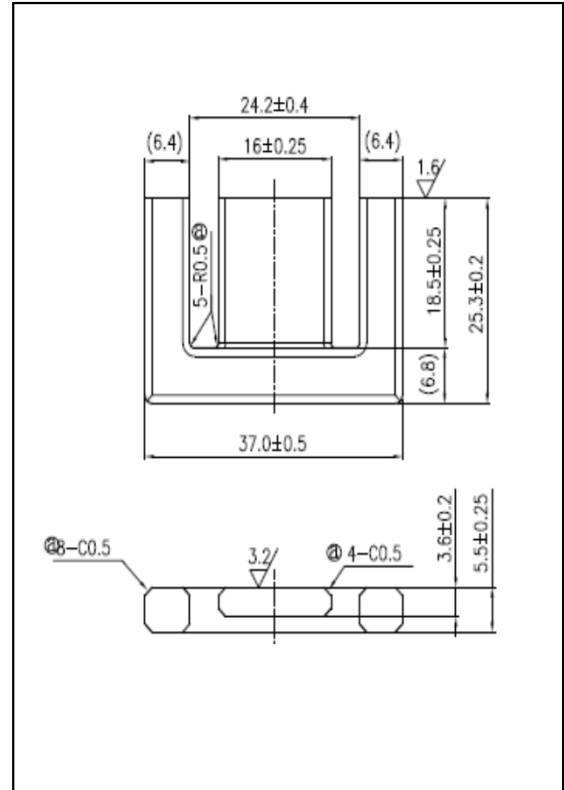
Characteristic

GRADE	AL (nH/N^2)	B (mT)	CORE LOSS (W)
	f=10kHz U=0.25V	H=250A/m f=25kHz T=100°C	f=100kHz B=200mT T=100°C
DMR40	$1900 \pm 25\%$	≥ 315	≤ 3.64
DMR44	$1900 \pm 25\%$	≥ 315	≤ 3.08
DMR47	$2000 \pm 25\%$	≥ 325	≤ 2.66

CORE SETS

Effective core parameters

SYMBOL	PARAMETER	VALUE	UNIT
$\Sigma (1/A)$	core factor (C_1)	1.54	mm^{-1}
V_e	effective volume	6911.30	mm^3
l_e	effective length	103.00	mm
A_e	effective area	67.10	mm^2
A_{\min}	minimum area	56.74	mm^2
W_t	mass of core set	≈ 35.0	g



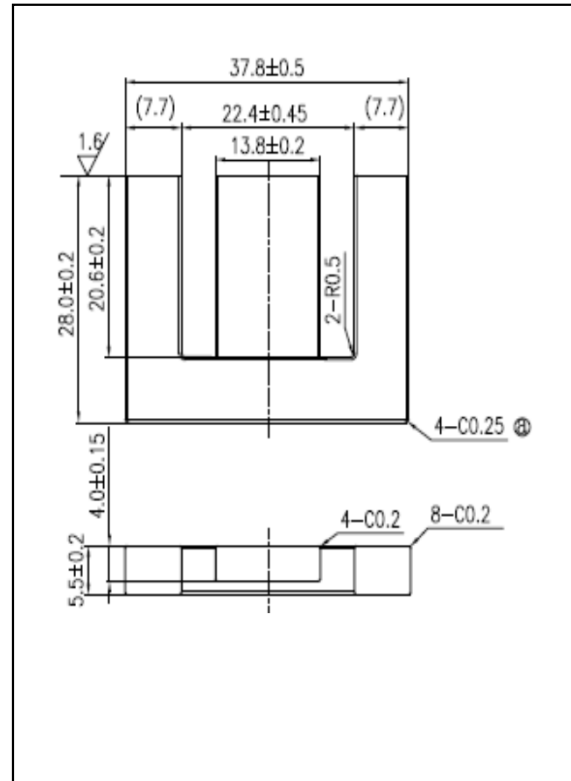
Characteristic

GRADE	AL (nH/N^2)	B (mT)	CORE LOSS (W)
	$f=10\text{kHz}$ $U=0.25\text{V}$	$H=250\text{A/m}$ $f=25\text{kHz}$ $T=100^\circ\text{C}$	$f=100\text{kHz}$ $B=200\text{mT}$ $T=100^\circ\text{C}$
DMR40	$1600 \pm 25\%$	≥ 315	≤ 4.55
DMR44	$1600 \pm 25\%$	≥ 315	≤ 3.68

CORE SETS

Effective core parameters

SYMBOL	PARAMETER	VALUE	UNIT
$\Sigma (1/A)$	core factor (C_1)	1.59	mm^{-1}
V_e	effective volume	7470.5	mm^3
l_e	effective length	108.9	mm
A_e	effective area	68.6	mm^2
A_{\min}	minimum area	54.3	mm^2
W_t	mass of core set	≈ 43.3	g



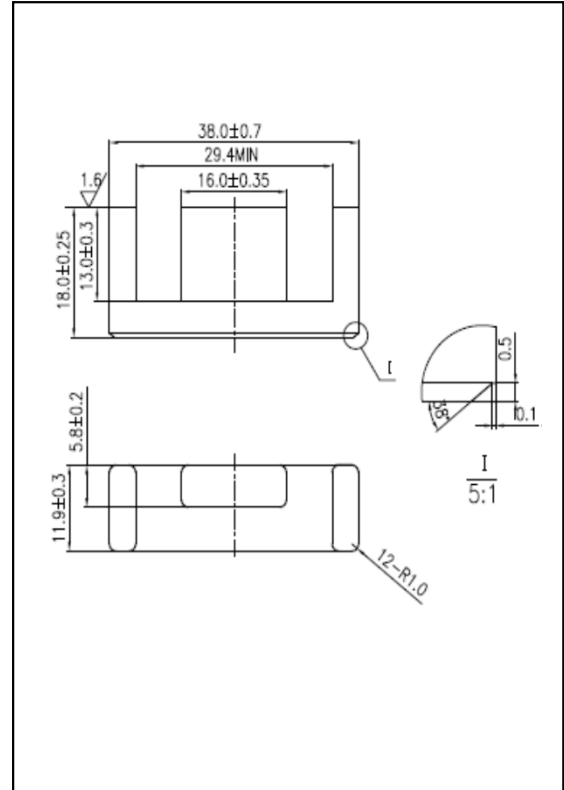
Characteristic

GRADE	AL (nH/N^2)	B (mT)	CORE LOSS (W)
	$f=10\text{kHz}$ $U=0.25\text{V}$	$H=250\text{A}/\text{m}$ $f=25\text{kHz}$ $T=100^\circ\text{C}$	$f=100\text{kHz}$ $B=200\text{mT}$ $T=100^\circ\text{C}$
DMR95	$2000 \pm 25\%$	≥ 315	≤ 4.11

CORE SETS

Effective core parameters

SYMBOL	PARAMETER	VALUE	UNIT
$\Sigma (1/A)$	core factor (C_1)	0.82	mm^{-1}
V_e	effective volume	8473.4	mm^3
l_e	effective length	83.4	mm
A_e	effective area	101.6	mm^2
A_{\min}	minimum area	91.9	mm^2
W_t	mass of core set	≈ 46.0	g



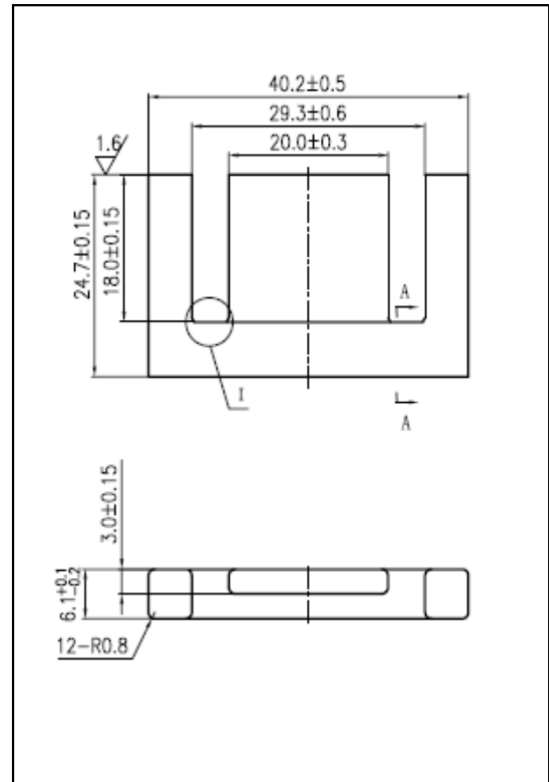
Characteristic

GRADE	AL (nH/N ²)	B (mT)	CORE LOSS (W)
	f=10kHz U=0.25V	H=250A/m f=25kHz T=100°C	f=100kHz B=200mT T=100°C
DMR40	3040 ± 25%	≥ 315	≤ 6.00
DMR44	3040 ± 25%	≥ 315	≤ 5.06

CORE SETS

Effective core parameters

SYMBOL	PARAMETER	VALUE	UNIT
$\Sigma (1/A)$	core factor (C_1)	1.49	mm^{-1}
V_e	effective volume	6993.9	mm^3
l_e	effective length	102.1	mm
A_e	effective area	68.5	mm^2
A_{\min}	minimum area	59.4	mm^2
W_t	mass of core set	≈ 38.0	g



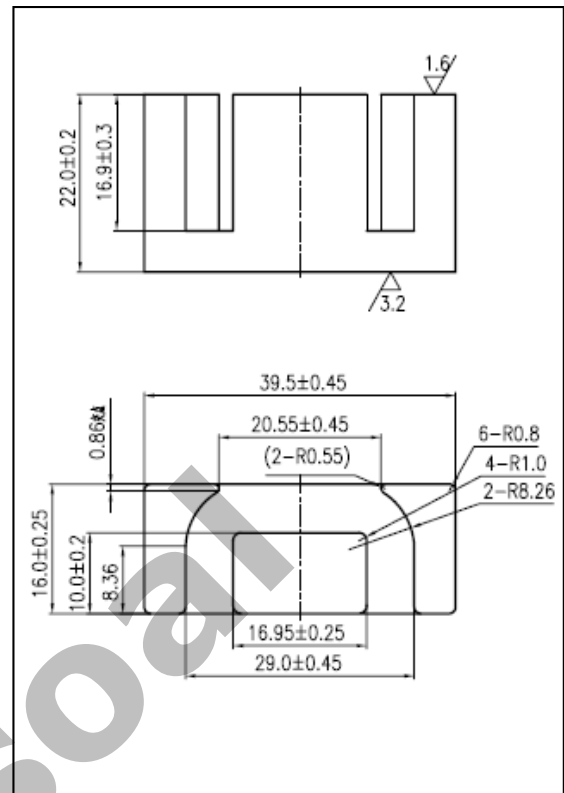
Characteristic

GRADE	AL (nH/N^2)	B (mT)	CORE LOSS (W)
	f=10kHz U=0.25V	H=250A/m f=25kHz T=100°C	f=100kHz B=200mT T=100°C
DMR40	$1400 \pm 25\%$	≥ 315	≤ 4.94
DMR44	$1400 \pm 25\%$	≥ 315	≤ 4.18

CORE SETS

Effective core parameters

SYMBOL	PARAMETER	VALUE	UNIT
$\Sigma (1/A)$	core factor (C_1)	0.53	mm^{-1}
Ve	effective volume	16665.11	mm^3
le	effective length	94.10	mm
Ae	effective area	177.10	mm^2
Amin	minimum area	163.20	mm^2
Wt	mass of core set	≈ 90	g



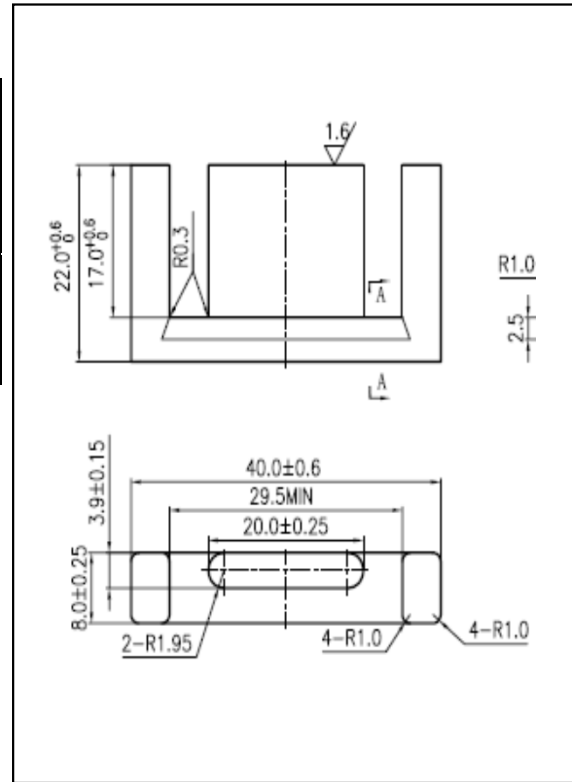
Characteristic

GRADE	AL (nH/N ²)		CORE LOSS (W)
	f=10kHz U=0.25V		f=100kHz B=200mT T=100°C
DMR40	4000 ± 25%		≤ 12
DMR44	4000 ± 25%		≤ 11
DMR47	4300 ± 25%		≤ 10
DMR95	6500 ± 25%		≤ 10.6

CORE SETS

Effective core parameters

SYMBOL	PARAMETER	VALUE	UNIT
$\Sigma (1/A)$	core factor (C_1)	1.22	mm^{-1}
V_e	effective volume	8261.1	mm^3
l_e	effective length	100.5	mm
A_e	effective area	82.2	mm^2
A_{\min}	minimum area	78.0	mm^2
W_t	mass of core set	≈ 42.0	g



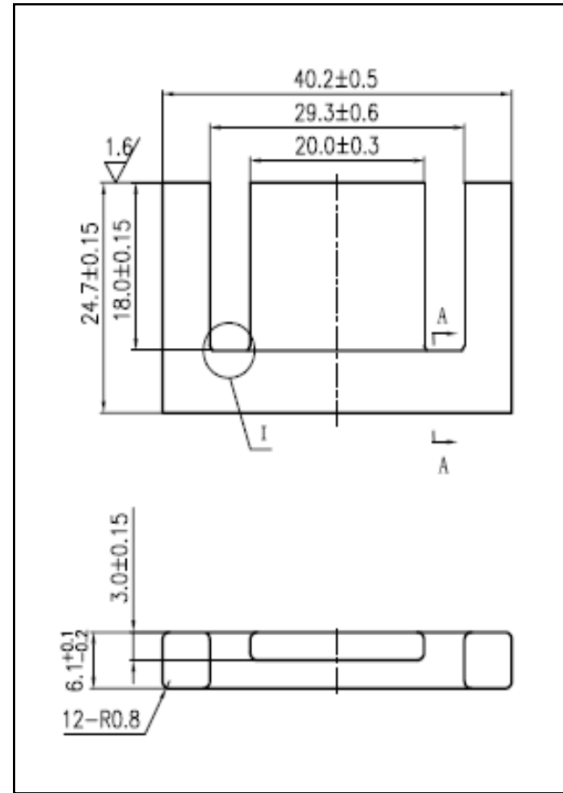
Characteristic

GRADE	AL (nH/N ²)	B (mT)	CORE LOSS (W)
	f=10kHz U=0.25V	H=250A/m f=25kHz T=100°C	f=100kHz B=200mT T=100°C
DMR40	2300 ± 25%	≥ 315	≤ 4.23
DMR44	2300 ± 25%	≥ 315	≤ 3.58

CORE SETS

Effective core parameters

SYMBOL	PARAMETER	VALUE	UNIT
$\Sigma (1/A)$	core factor (C_1)	1.08	mm^{-1}
V_e	effective volume	11061.96	mm^3
l_e	effective length	109.20	mm
A_e	effective area	101.30	mm^2
A_{\min}	minimum area	92.46	mm^2
W_t	mass of core set	≈ 56.2	g



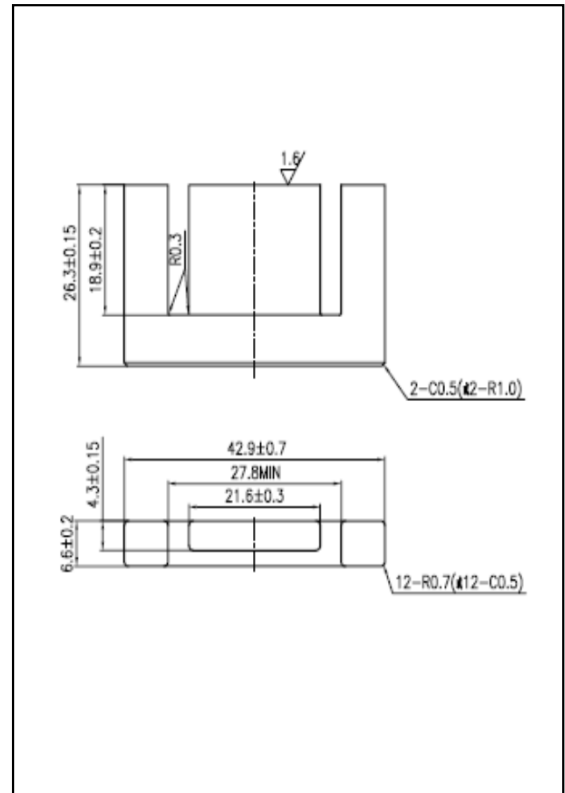
Characteristic

GRADE	AL (nH/N^2)	B (mT)	CORE LOSS (W)
	f=10kHz U=0.25V	H=250A/m f=25kHz T=100°C	f=100kHz B=200mT T=100°C
DMR40	$2300 \pm 25\%$	≥ 315	≤ 7.03
DMR44	$2300 \pm 25\%$	≥ 315	≤ 6.18

CORE SETS

Effective core parameters

SYMBOL	PARAMETER	VALUE	UNIT
$\Sigma (1/A)$	core factor (C_1)	1.08	mm^{-1}
V_e	effective volume	11061.96	mm^3
l_e	effective length	109.20	mm
A_e	effective area	101.30	mm^2
A_{\min}	minimum area	92.46	mm^2
W_t	mass of core set	≈ 56.2	g



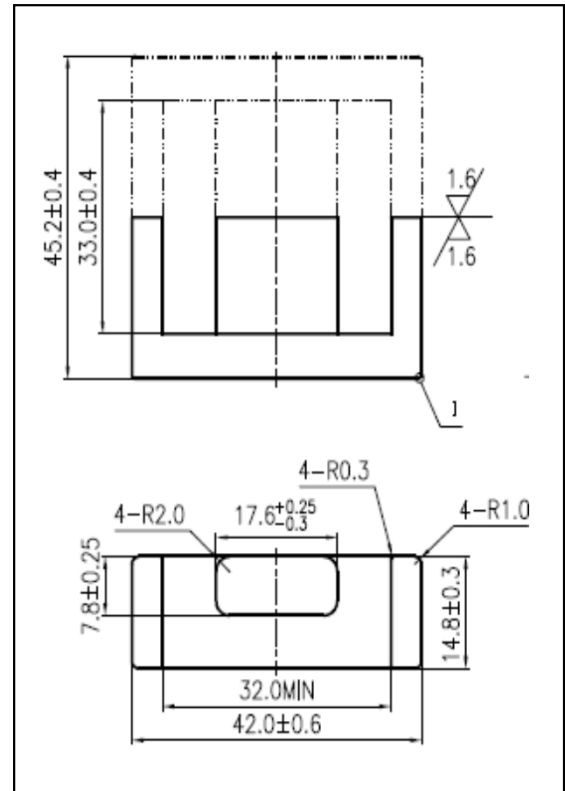
Characteristic

GRADE	AL (nH/N^2)	B (mT)	CORE LOSS (W)
	$f=10\text{kHz}$ $U=0.25\text{V}$	$H=250\text{A}/\text{m}$ $f=25\text{kHz}$ $T=100^\circ\text{C}$	$f=100\text{kHz}$ $B=200\text{mT}$ $T=100^\circ\text{C}$
DMR40	$2300 \pm 25\%$	≥ 315	≤ 7.03
DMR44	$2300 \pm 25\%$	≥ 315	≤ 6.18

CORE SETS

Effective core parameters

SYMBOL	PARAMETER	VALUE	UNIT
$\Sigma (1/A)$	core factor (C_1)	0.74	mm^{-1}
V_e	effective volume	13919.2	mm^3
l_e	effective length	101.6	mm
A_e	effective area	137.0	mm^2
A_{\min}	minimum area	133.4	mm^2
W_t	mass of core set	≈ 81.0	g



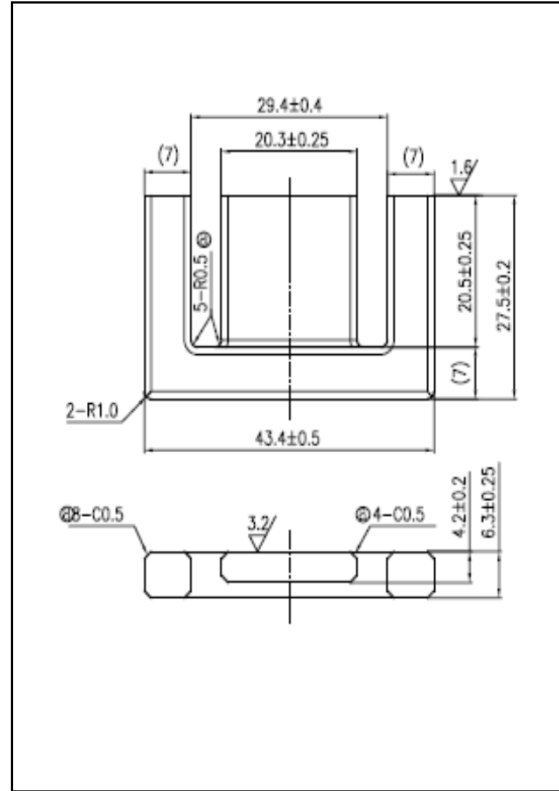
Characteristic

GRADE	AL (nH/N^2)	B (mT)	CORE LOSS (W)
	f=10kHz U=0.25V	H=250A/m f=25kHz T=100°C	f=100kHz B=200mT T=100°C
DMR40	$3100 \pm 25\%$	≥ 315	≤ 10.13
DMR44	$3100 \pm 25\%$	≥ 315	≤ 8.91

CORE SETS

Effective core parameters

SYMBOL	PARAMETER	VALUE	UNIT
$\Sigma (1/A)$	core factor (C_1)	1.27	mm^{-1}
V_e	effective volume	10573.40	mm^3
l_e	effective length	116.00	mm
A_e	effective area	91.15	mm^2
A_{\min}	minimum area	84.32	mm^2
W_t	mass of core set	≈ 52.6	g



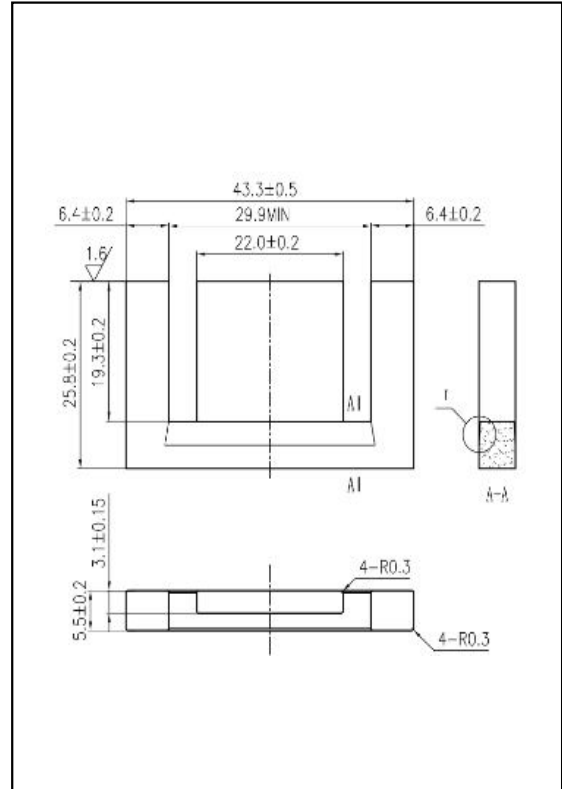
Characteristic

GRADE	AL (nH/N^2)	B (mT)	CORE LOSS (W)
	f=10kHz U=0.25V	H=250A/m f=25kHz T=100°C	f=100kHz B=200mT T=100°C
DMR40	$1600 \pm 25\%$	≥ 315	≤ 6.84
DMR44	$1600 \pm 25\%$	≥ 315	≤ 5.79

CORE SETS

Effective core parameters

SYMBOL	PARAMETER	VALUE	UNIT
$\Sigma (1/A)$	core factor (C_1)	1.49	mm^{-1}
V_e	effective volume	8114.22	mm^3
l_e	effective length	109.80	mm
A_e	effective area	73.90	mm^2
A_{\min}	minimum area	68.12	mm^2
W_t	mass of core set	≈ 40.8	g



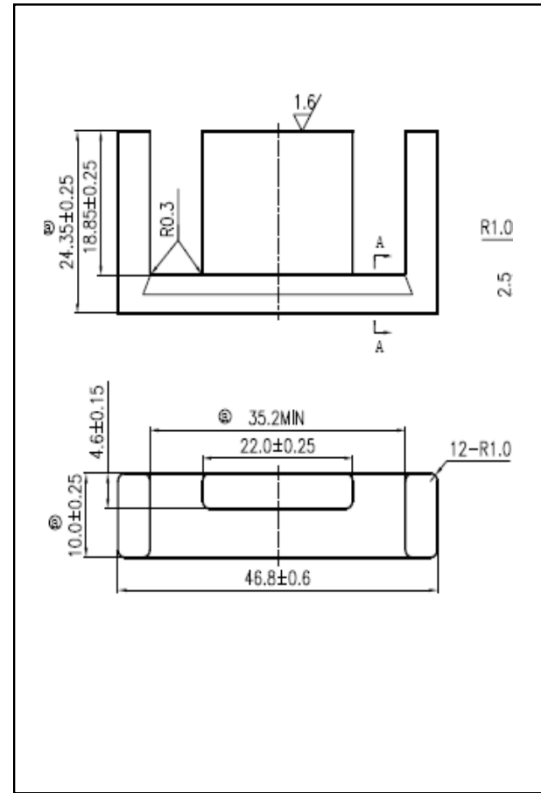
Characteristic

GRADE	AL (nH/N ²)	B (mT)	CORE LOSS (W)
	f=10kHz U=0.25V	H=250A/m f=25kHz T=100°C	f=100kHz B=200mT T=100°C
DMR40	1700±25%	≥315	≤5.30
DMR44	1700±25%	≥315	≤4.49

CORE SETS

Effective core parameters

SYMBOL	PARAMETER	VALUE	UNIT
$\Sigma (1/A)$	core factor (C_1)	0.99	mm^{-1}
V_e	effective volume	12712.36	mm^3
l_e	effective length	112.30	mm
A_e	effective area	113.20	mm^2
A_{\min}	minimum area	92.28	mm^2
W_t	mass of core set	≈ 64.6	g



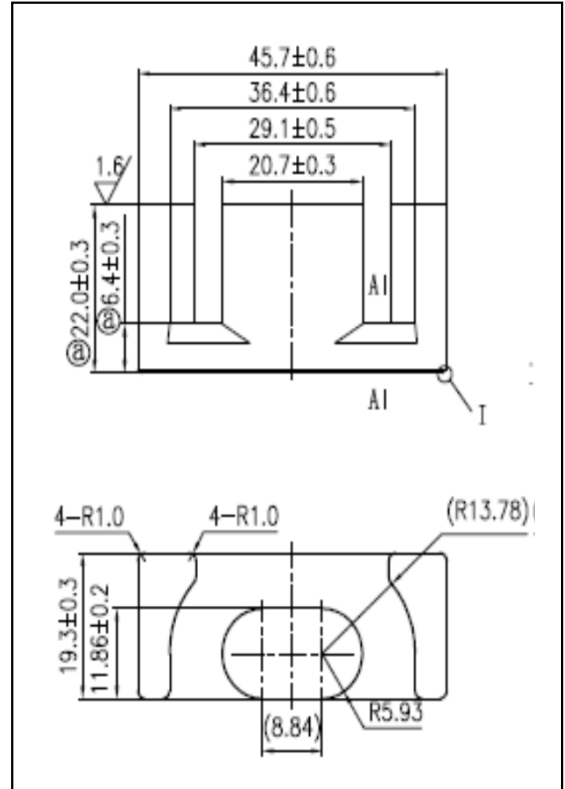
Characteristic

GRADE	AL (nH/N^2)	B (mT)	CORE LOSS (W)
	f=10kHz U=0.25V	H=250A/m f=25kHz T=100°C	f=100kHz B=200mT T=100°C
DMR40	$2100 \pm 25\%$	≥ 315	≤ 8.4
DMR44	$2100 \pm 25\%$	≥ 315	≤ 7.1
DMR95	$2500 \pm 25\%$	≥ 315	≤ 7.0

CORE SETS

Effective core parameters

SYMBOL	PARAMETER	VALUE	UNIT
$\Sigma (1/A)$	core factor (C_1)	0.41	mm^{-1}
V_e	effective volume	23283.22	mm^3
l_e	effective length	98.20	mm
A_e	effective area	237.10	mm^2
A_{\min}	minimum area	215.79	mm^2
W_t	mass of core set	≈ 120	g



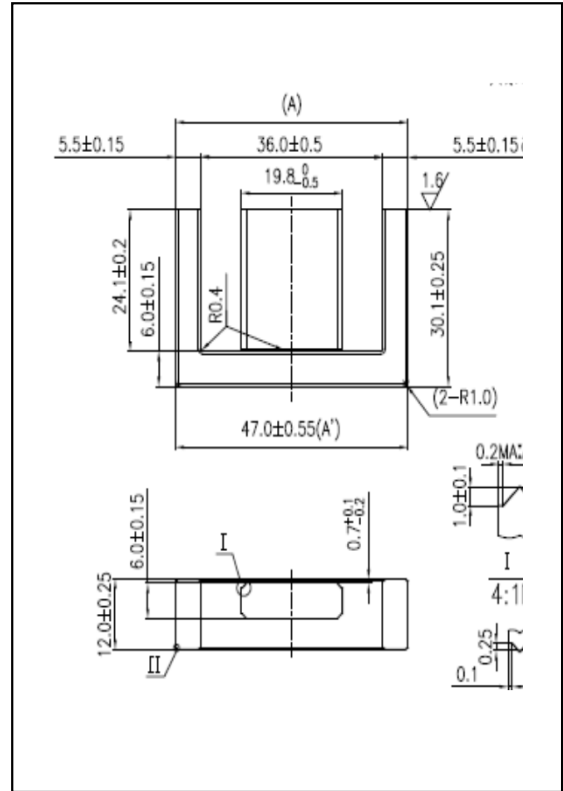
Characteristic

GRADE	AL (nH/N^2)	B (mT)	CORE LOSS (W)
	f=10kHz U=0.25V	H=250A/m f=25kHz T=100°C	f=100kHz B=200mT T=100°C
DMR40	$4800 \pm 25\%$	≥ 315	≤ 1.56
DMR44	$4800 \pm 25\%$	≥ 315	≤ 1.32

CORE SETS

Effective core parameters

SYMBOL	PARAMETER	VALUE	UNIT
$\Sigma (1/A)$	core factor (C_1)	1.03	mm^{-1}
V_e	effective volume	17288.25	mm^3
l_e	effective length	133.50	mm
A_e	effective area	129.50	mm^2
A_{\min}	minimum area	118.08	mm^2
W_t	mass of core set	≈ 90	g



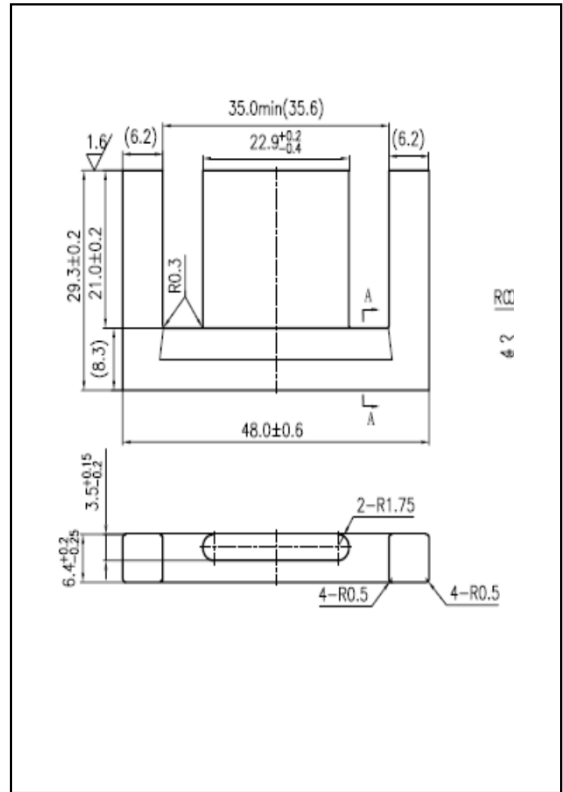
Characteristic

GRADE	AL (nH/N^2)	B (mT)	CORE LOSS (W)
	$f=10\text{kHz}$ $U=0.25\text{V}$	$H=250\text{A/m}$ $f=25\text{kHz}$ $T=100^\circ\text{C}$	$f=100\text{kHz}$ $B=200\text{mT}$ $T=100^\circ\text{C}$
DMR40	$2200 \pm 25\%$	≥ 315	≤ 11.7
DMR44	$2200 \pm 25\%$	≥ 315	≤ 9.45

CORE SETS

Effective core parameters

SYMBOL	PARAMETER	VALUE	UNIT
$\Sigma (1/A)$	core factor (C_1)	1.40	mm^{-1}
V_e	effective volume	10242.90	mm^3
l_e	effective length	119.80	mm
A_e	effective area	85.50	mm^2
A_{\min}	minimum area	77.52	mm^2
W_t	mass of core set	≈ 57.0	g



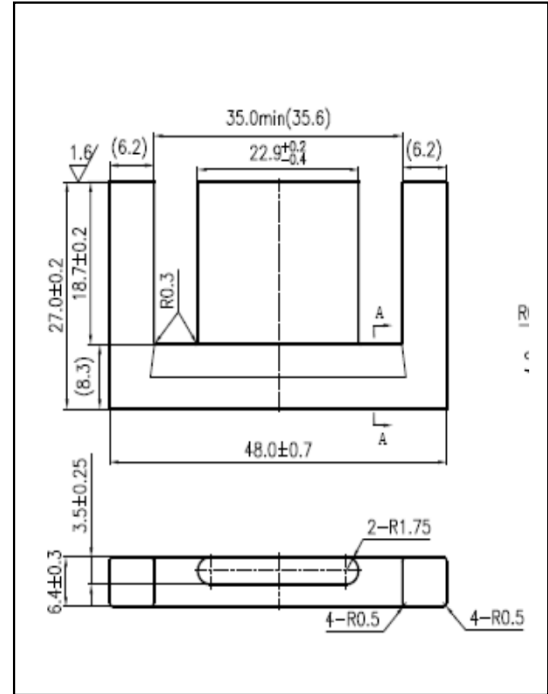
Characteristic

GRADE	AL (nH/N ²)	B (mT)	CORE LOSS (W)
	f=10kHz U=0.25V	H=250A/m f=25kHz T=100°C	f=100kHz B=200mT T=100°C
DMR40	1550 ± 25%	≥ 315	≤ 7.4
DMR44	1550 ± 25%	≥ 315	≤ 6.0

CORE SETS

Effective core parameters

SYMBOL	PARAMETER	VALUE	UNIT
$\Sigma (1/A)$	core factor (C_1)	1.28	mm^{-1}
V_e	effective volume	9566.9	mm^3
l_e	effective length	110.6	mm
A_e	effective area	86.5	mm^2
A_{\min}	minimum area	77.5	mm^2
W_t	mass of core set	≈ 53.7	g



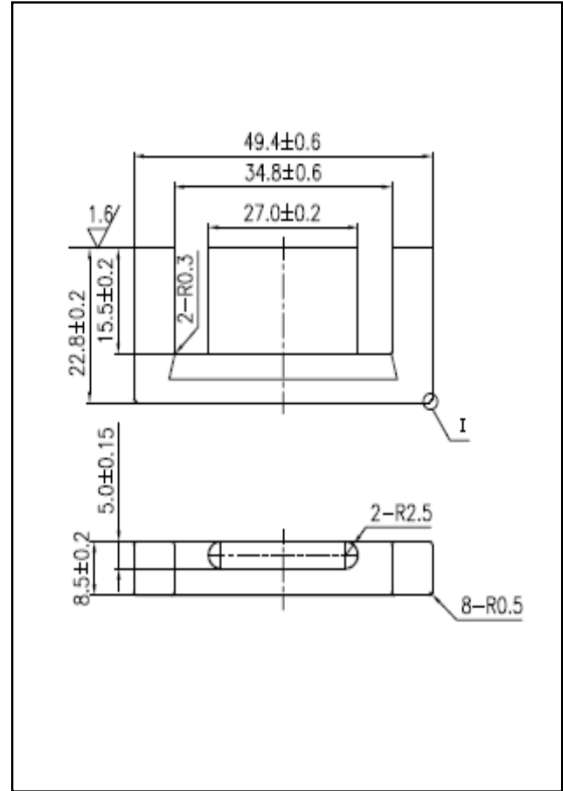
Characteristic

GRADE	AL (nH/N ²)	B (mT)	CORE LOSS (W)
	f=10kHz U=0.25V	H=250A/m f=25kHz T=100°C	f=100kHz B=200mT T=100°C
DMR40	1800 ± 25%	≥ 315	≤ 7.0
DMR44	1800 ± 25%	≥ 315	≤ 5.9

CORE SETS

Effective core parameters

SYMBOL	PARAMETER	VALUE	UNIT
$\Sigma (1/A)$	core factor (C_1)	0.74	mm^{-1}
V_e	effective volume	13584.12	mm^3
l_e	effective length	100.40	mm
A_e	effective area	135.30	mm^2
A_{\min}	minimum area	121.68	mm^2
W_t	mass of core set	≈ 68.6	g



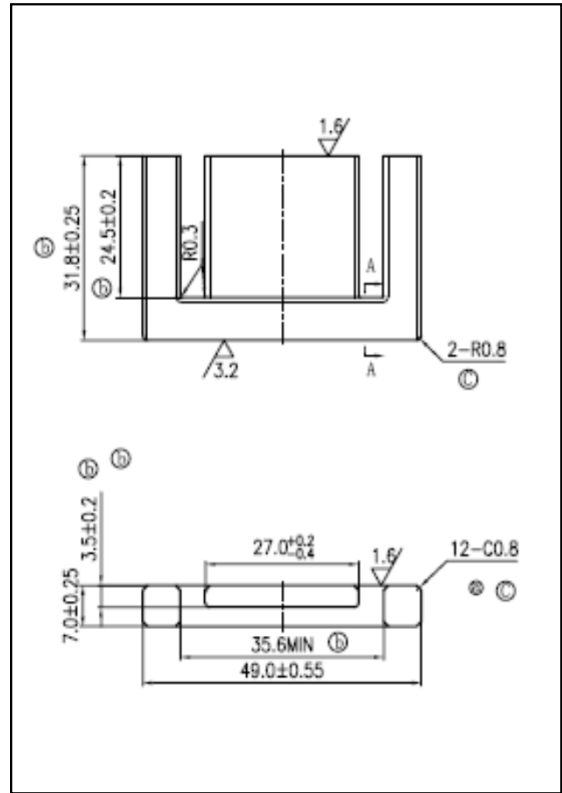
Characteristic

GRADE	AL (nH/N^2)	B (mT)	CORE LOSS (W)
	$f=10\text{kHz}$ $U=0.25\text{V}$	$H=250\text{A/m}$ $f=25\text{kHz}$ $T=100^\circ\text{C}$	$f=100\text{kHz}$ $B=200\text{mT}$ $T=100^\circ\text{C}$
DMR40	$3100 \pm 25\%$	≥ 315	≤ 8.92
DMR44	$3100 \pm 25\%$	≥ 315	≤ 7.20

CORE SETS

Effective core parameters

SYMBOL	PARAMETER	VALUE	UNIT
$\Sigma (1/A)$	core factor (C_1)	1.38	mm^{-1}
V_e	effective volume	13113.75	mm^3
l_e	effective length	134.50	mm
A_e	effective area	97.50	mm^2
A_{\min}	minimum area	91.30	mm^2
W_t	mass of core set	≈ 68.0	g



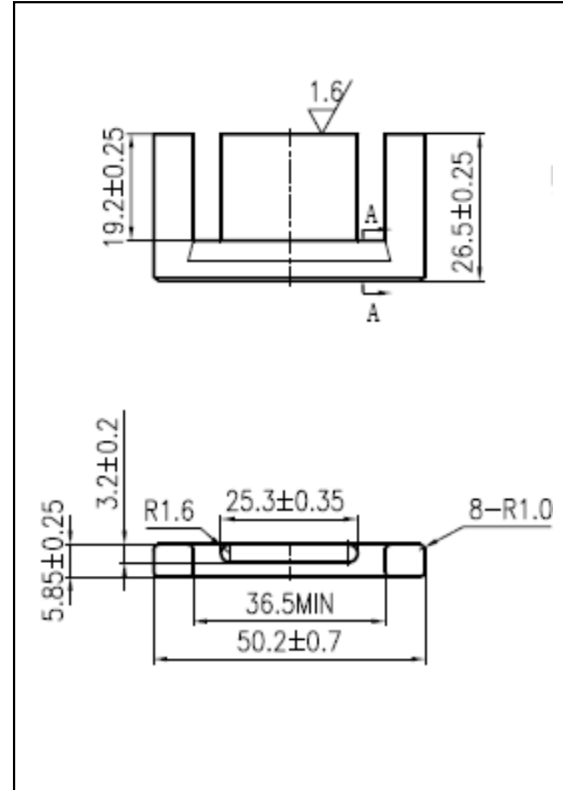
Characteristic

GRADE	AL (nH/N^2)	B (mT)	CORE LOSS (W)
	f=10kHz U=0.25V	H=250A/m f=25kHz T=100°C	f=100kHz B=200mT T=100°C
DMR40	$1900 \pm 25\%$	≥ 315	≤ 8.84
DMR44	$1900 \pm 25\%$	≥ 315	≤ 7.48

CORE SETS

Effective core parameters

SYMBOL	PARAMETER	VALUE	UNIT
$\Sigma (1/A)$	core factor (C_1)	1.35	mm^{-1}
V_e	effective volume	9601.77	mm^3
l_e	effective length	113.90	mm
A_e	effective area	84.30	mm^2
A_{\min}	minimum area	78.76	mm^2
W_t	mass of core set	≈ 49.5	g



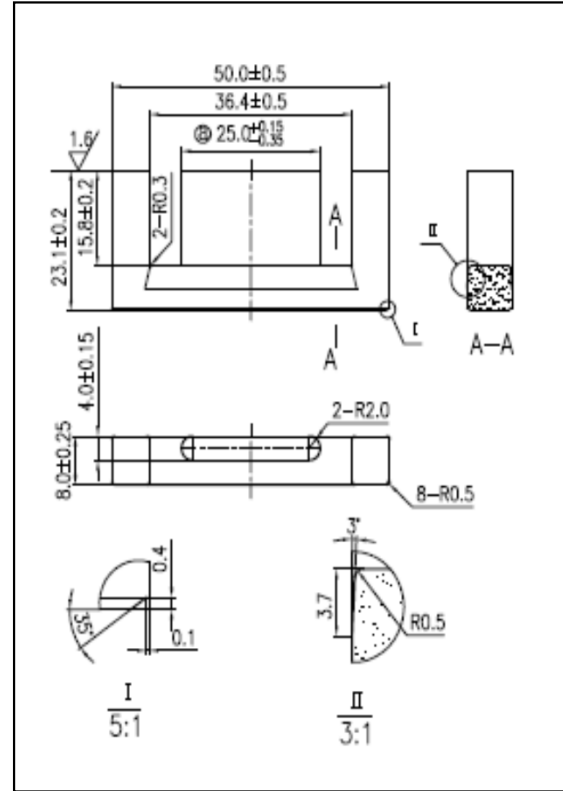
Characteristic

GRADE	AL (nH/N^2)	B (mT)	CORE LOSS (W)
	f=10kHz U=0.25V	H=250A/m f=25kHz T=100°C	f=100kHz B=200mT T=100°C
DMR40	$1800 \pm 25\%$	≥ 315	≤ 6.44
DMR44	$1800 \pm 25\%$	≥ 315	≤ 5.45

CORE SETS

Effective core parameters

SYMBOL	PARAMETER	VALUE	UNIT
$\Sigma (1/A)$	core factor (C_1)	0.90	mm^{-1}
V_e	effective volume	11386.12	mm^3
l_e	effective length	101.30	mm
A_e	effective area	112.40	mm^2
A_{\min}	minimum area	96.60	mm^2
W_t	mass of core set	≈ 60.5	g



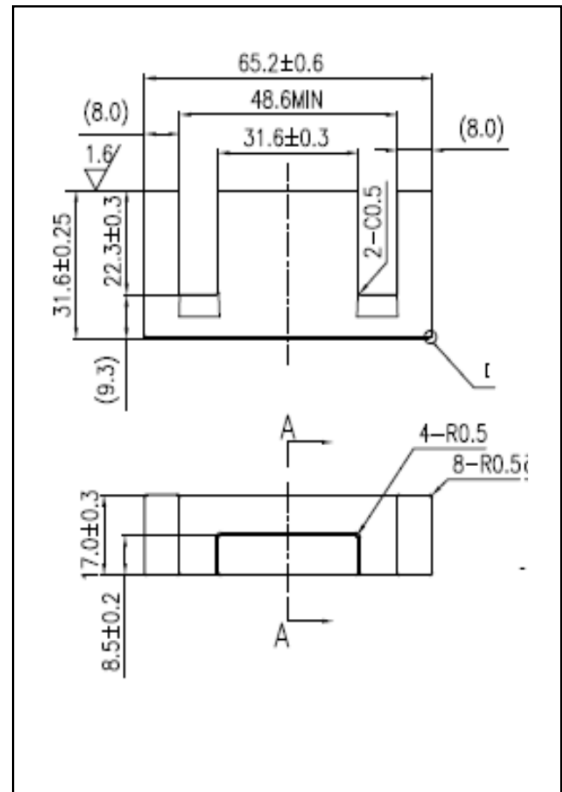
Characteristic

GRADE	AL (nH/N^2)	B (mT)	CORE LOSS (W)
	$f=10\text{kHz}$ $U=0.25\text{V}$	$H=250\text{A/m}$ $f=25\text{kHz}$ $T=100^\circ\text{C}$	$f=100\text{kHz}$ $B=200\text{mT}$ $T=100^\circ\text{C}$
DMR40	$2500 \pm 25\%$	≥ 315	≤ 7.87
DMR44	$2500 \pm 25\%$	≥ 315	≤ 6.66

CORE SETS

Effective core parameters

SYMBOL	PARAMETER	VALUE	UNIT
$\Sigma (1/A)$	core factor (C_1)	0.52	mm^{-1}
V_e	effective volume	37630.86	mm^3
l_e	effective length	140.10	mm
A_e	effective area	268.60	mm^2
A_{\min}	minimum area	268.39	mm^2
W_t	mass of core set	≈ 219.0	g



Characteristic

GRADE	AL (nH/N^2)	B (mT)	CORE LOSS (W)
	$f=10\text{kHz}$ $U=0.25\text{V}$	$H=250\text{A/m}$ $f=25\text{kHz}$ $T=100^\circ\text{C}$	$f=100\text{kHz}$ $B=200\text{mT}$ $T=100^\circ\text{C}$
DMR40	$4800 \pm 25\%$	≥ 315	≤ 28.47
DMR44	$4800 \pm 25\%$	≥ 315	≤ 24.09